



NM SWITCHGEAR

نور محور فارس

Explosion Proof Electrical Supplies

تولید کننده تجهیزات الکتریکی ضد انفجار

COMPANY HISTORY



1991 ~ 1996

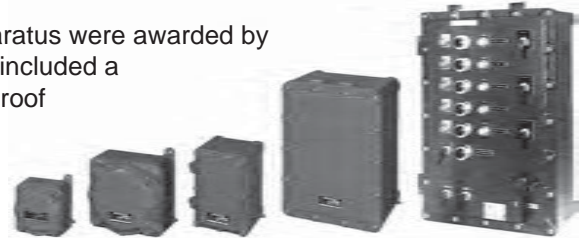
Company was established to manufacture Explosion Proof and Weather Proof electrical equipments for hazardous and hostile environments mainly in petroleum industries.

Large quantities of weather proof electrical equipments were manufactured and delivered to Bandar Imam Petrochemical company, NIOC South Oilfields, Bandar Abbas Refinery, ... Iran.

29.10.1996

First Certificates of conformity for Explosion Proof apparatus were awarded by a European Notified Body to an Iranian company. They included a complete range of certificates for production of Flame Proof EEx d IIB / IIC T6 IP65/66 Switchgears including:

Junction Boxes, Control Stations, Motor Starters, Distribution Panels, ...



18.03.1999

GU.. series Junction Boxes:

Certified Flame Proof EEx d IIC T6 IP66



26.09.2001

NMA.. series Terminal Boxes:

Certified Increased Safety EEx e II T6 or T5 IP65



01.04.2004

Adaptors, Reducers, Stopping Plugs, Couplings, & Nipples:

Dual Certified EEx d IIC & EEx e II



03.05.2004

NMG.. Series of Cable Glands:

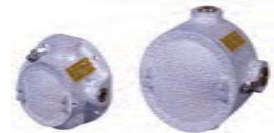
Dual Certified EEx d IIC & EEx e II



19.10.2005

GU.. Series of Junction Boxes:

Recertified to ATEX CE EEx d IIC T6 IP66



26.10.2005

NMA.. series of Terminal Boxes:

Recertified to ATEX CE EEx e II T6 or T5 IP66



03.08.2007

Incandescent and High Pressure Discharge Lighting Fixtures

Certified Flame Proof Ex d IIC T4/T3 IP66



19.03.2008

Company quality control system, Certified by TUV Intercert



01.04.2008

EJBT and GUBST range of Junction Boxes: Recertified to ATEX CE Flame Proof Ex d IIB T6 IP65/66 (EJBT) & Ex d IIC T6 IP66 (GUBST)



27.02.2009

Floodlight Lighting Fixture: Certified Flame Proof Ex d IIC T4 or T3 IP66



18.01.2010

Conduit Fittings, including: **Unions, Sealing Fittings & Elbows** Certified Flame Proof Ex d IIC IP66



09.03.2010

Fluorescent Lighting Fittings, Certified Flame Proof Ex d IIC T6 IP66



07.04.2010

Control and Signaling Boxes, Recertified to ATEX CE Ex d IIB T6 (EJBC) and Ex d IIC T6 or T5 (GUBSC)



11.08.2011

Company quality control system, Recertified by TUV Intercert



14.12.2011

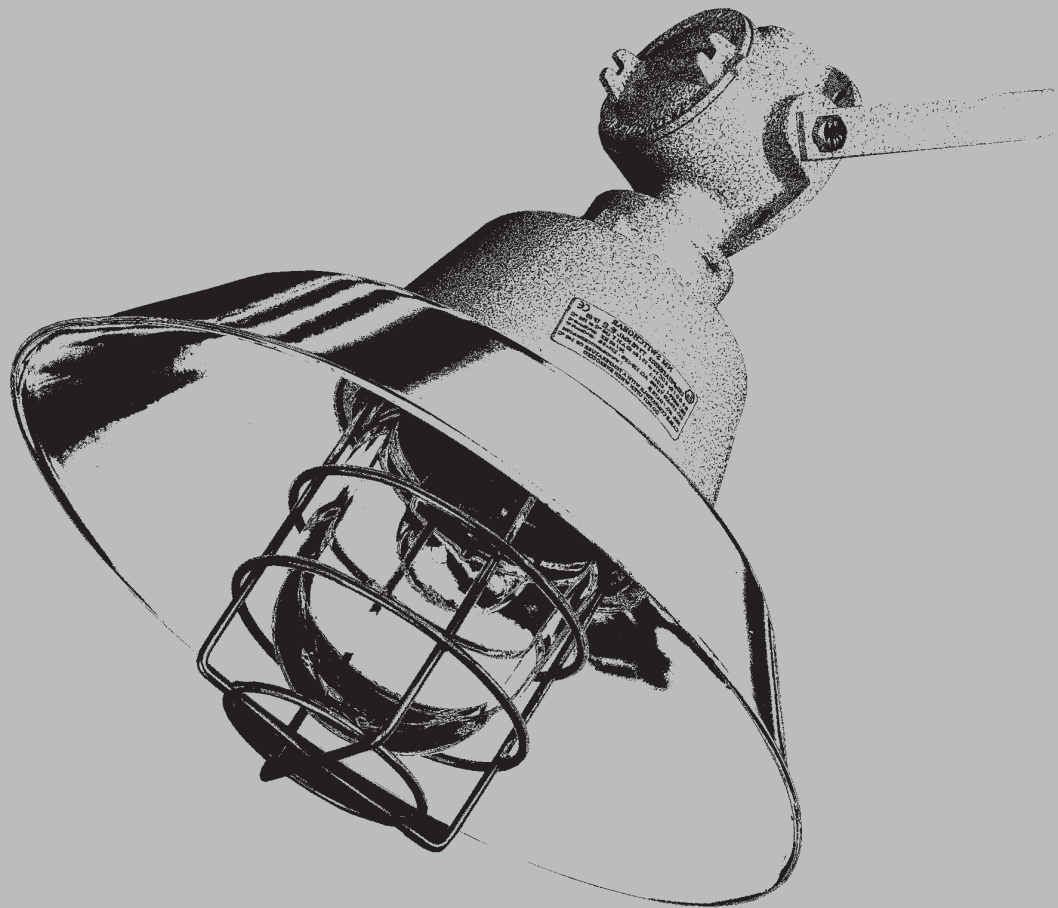
Plugs and Sockets, Certified Flame Proof Ex d IIC T6 IP66



2011

Quality Assurance Notification (QAN) Certification





Lighting Fixtures

- NMF..** Fluorescent Light Fittings
- NML..** Incandescent and Blended Lamp Light Fittings
- NMLD..** High-Pressure Discharge Lamp Light Fittings
- NMFL..** Floodlight Projector
- NMWL..** Warning Light Fittings
- NMLP..** Portable Hand Lamp



Marking to ATEX 94/9/EC Directive: Ex II 2 G Ex d IIC T6 Gb / II 2 D Ex tb IIIC T72°C Db IP66

Zone: 1, 2, 21, 22 , Gas Group IIC

Compliance with: IEC 60079-0:2007, IEC 60079-1:2007, IEC 60079-31:2008

EC Type Examination Certificate: ISSeP 10 ATEX 010X



FEATURES

- Enclosure:** Copper free aluminium alloy suitable for petroleum and marine locations.
- Glass:** Borosilicate tempered glass resistant to impact and sudden heat changes.
- Range:** Single or double bi-pin 20 and 40 W fluorescent tubes with rapid start electronic ballast.
- Reflector:** Aluminium, white coated for optimum uniform lighting.
- IP rating:** IP66 to IEC 529 / EN 60529.
- Installation:** Optional installation accessories are supplied for any type of mounting.
- Wire guard:** Stainless steel wire guard supplied with all lighting fixtures as standard.
- Cable entry:** ISO 965.1 metric as standard. NPT or other threads supplied on request.
- Earthing:** Standard M6 internal and external earth screws.
- Finish:** Electrostatic powder coated or two pack epoxy paint.



NMF 240

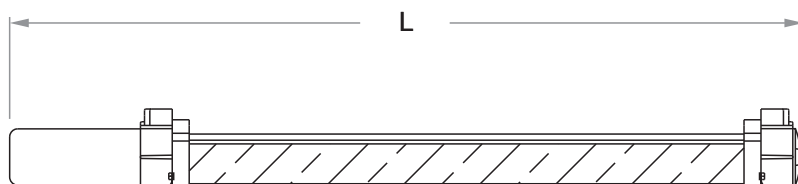
OPTIONS

- Installation accessories (ceiling, pipe, chain, bracket or pole mounting)
- Cable gland
- Lamp

نور محور فارس
تولید کننده تجهیزات الکتریکی ضد انفجار
NM SWITCHGEAR
Explosion Proof Electrical Supplies

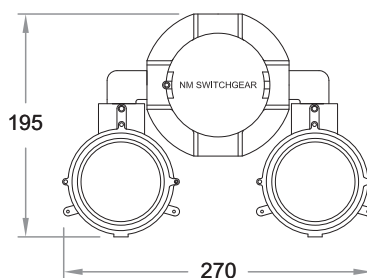


NMF.. Installation Types and Accessories

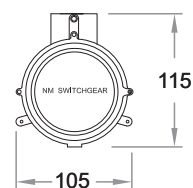


TYPE	RATING	L mm
NMF 120	1 x 20 W	935
NMF 140	1 x 40 W	1535
NMF 220	2 x 20 W	935
NMF 240	2 x 40 W	1535

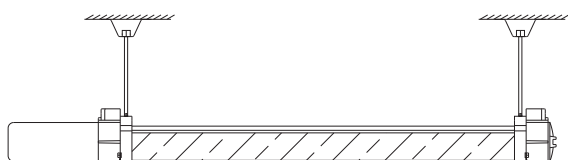
Dimensions shown are within manufacturing tolerances



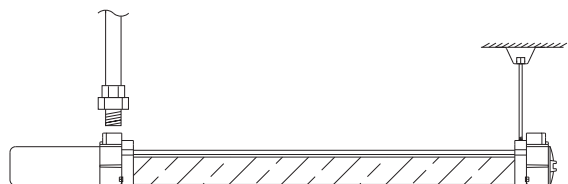
End view
2 x 20 & 2 x 40



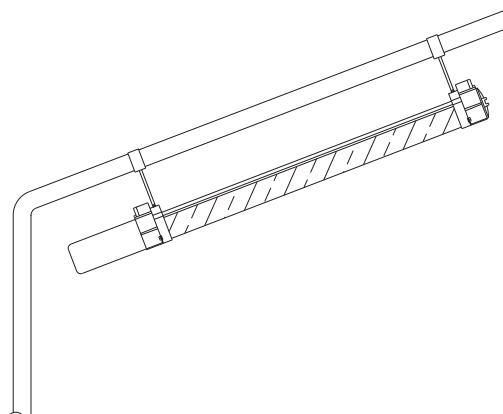
End view
1 x 20 & 1 x 40



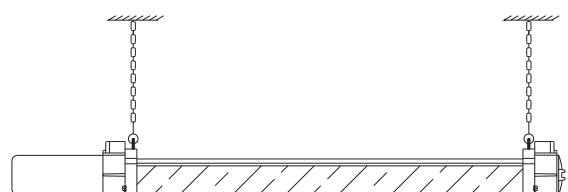
Ceiling mounting



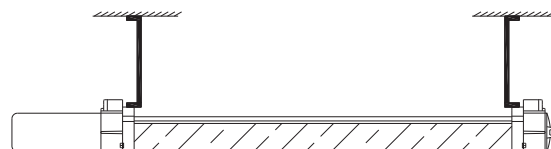
Pipe mounting



Pole mounting



Chain mounting



Bracket mounting

Other types of installation accessories supplied on request.



Marking to ATEX 94/9/EC Directive: Ex II 2 G Ex d IIC T4 or T3 / II 2 D Ex tD A21 IP65 T130°C or T195°C

Zone: 1, 2, 21, 22 , Gas Group IIC

Compliance with: IEC 60079-0:2004, IEC 60079-1:2003, IEC 61241-0:2004, IEC 61241-1:2004

EC Type Examination Certificate: ISSeP 07 ATEX 022



FEATURES

- Enclosure:** Copper free aluminium alloy suitable for petroleum and marine locations.
- Glass:** Borosilicate tempered glass resistant to impact and sudden heat changes.
- Lamps:** Incandescent or blended lamps up to 500 W.
- IP rating:** IP65 to IEC 529 / EN 60529. IP66 by application of an approved non-hardening grease.
- Installation:** Optional installation accessories are supplied for any type of mounting.
- Wire guard:** Stainless steel wire guard supplied with all lighting fixtures, as standard.
- Cable entry:** ISO 965.1 metric as standard. NPT or other threads supplied on request.
- Earthing:** Standard M6 internal and external earth screws.
- Finish:** Electrostatic powder coated or two pack epoxy paint.



NML1

NML2

NML3

NML4

NML5

OPTIONS

- Installation accessories:
(pendant, bracket, suspension, ceiling or pipe mounting)
- Enameled aluminium reflector
- Cable gland
- Lamp

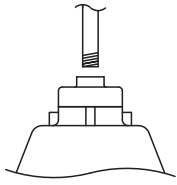


REFLECTOR

نور محور فارس
تولید کننده تجهیزات الکتریکی ضد انفجار
NM SWITCHGEAR
Explosion Proof Electrical Supplies



NML.. Installation Types and Accessories

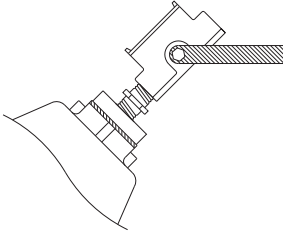


Pendant type: NML..P



TYPE	WATT	TEMP CLASS	LAMP HOLDER	H mm	W mm	Weight kg.
NML1P	100	T3	E27	240	150	2.2
NML2P	200	T4	E27	290	170	3.2
NML3P	200	T4	E27	340	200	4.2
NML4P	300	T3	E40	410	220	7.0
NML5P	500	T3	E40	470	270	10.3

Dimensions shown are within manufacturing tolerances

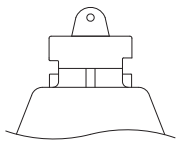


Bracket type: NML..B



TYPE	WATT	TEMP CLASS	LAMP HOLDER	H mm	W mm	Weight kg.
NML1B	100	T3	E27	420	150	3.7
NML2B	200	T4	E27	470	170	4.7
NML3B	200	T4	E27	520	200	5.7
NML4B	300	T3	E40	580	220	9.5
NML5B	500	T3	E40	650	270	11.8

Dimensions shown are within manufacturing tolerances

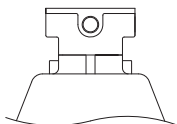


Suspension type: NML..S



TYPE	WATT	TEMP CLASS	LAMP HOLDER	H mm	W mm	Weight kg.
NML1S	100	T3	E27	290	150	2.5
NML2S	200	T4	E27	350	170	3.5
NML3S	200	T4	E27	390	200	4.5
NML4S	300	T3	E40	450	220	7.2
NML5S	500	T3	E40	510	270	10.6

Dimensions shown are within manufacturing tolerances

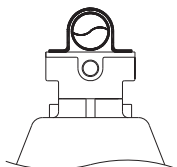


Ceiling type: NML..C



TYPE	WATT	TEMP CLASS	LAMP HOLDER	H mm	W mm	Weight kg.
NML1C	100	T3	E27	250	150	2.5
NML2C	200	T4	E27	310	170	3.5
NML3C	200	T4	E27	350	200	4.5
NML4C	300	T3	E40	420	220	7.2
NML5C	500	T3	E40	480	270	10.6

Dimensions shown are within manufacturing tolerances



Pipe mounted type: NML..PM



TYPE	WATT	TEMP CLASS	LAMP HOLDER	H mm	W mm	Weight kg.
NML1PM	100	T3	E27	256	150	2.5
NML2PM	200	T4	E27	316	170	3.5
NML3PM	200	T4	E27	356	200	4.5
NML4PM	300	T3	E40	426	220	7.2
NML5PM	500	T3	E40	486	270	10.6

Dimensions shown are within manufacturing tolerances

Other types of installation accessories supplied on request.



Marking to ATEX 94/9/EC Directive: Ex II 2 G Ex d IIC T4 or T3 / II 2 D Ex tD A21 IP65 T130°C or T195°C

Zone: 1, 2, 21, 22 , Gas Group IIC

Compliance with: IEC 60079-0:2004, IEC 60079-1:2003, IEC 61241-0:2004, IEC 61241-1:2004

EC Type Examination Certificate: ISSeP 07 ATEX 022



FEATURES

- Enclosure:** Copper free aluminium alloy suitable for petroleum and marine locations.
- Glass:** Borosilicate tempered glass resistant to impact and sudden heat changes.
- Lamps:** High pressure discharge: Mercury vapour, Sodium vapour, Halogen and Metal halide.
- Power unit:** In a separate enclosure to accommodate ballast, starter & capacitor, and to avoid the damaging effects of direct heat from the lamp, resulting much longer service life.
- IP rating:** IP65 to IEC 529 / EN 60529. IP66 by application of an approved non-hardening grease.
- Installation:** Optional installation accessories are supplied for any type of mounting.
- Wire guard:** Stainless steel wire guard supplied with all lighting fixtures, as standard.
- Cable entry:** ISO 965.1 metric as standard. NPT or other threads supplied on request.
- Earthing:** Standard M6 internal and external earth screws.
- Finish:** Electrostatic powder coated or two pack epoxy paint.



REFLECTOR

OPTIONS

Installation accessories: please specify accessories required if other than our standard, shown above.

Enameled aluminium reflector

Cable gland

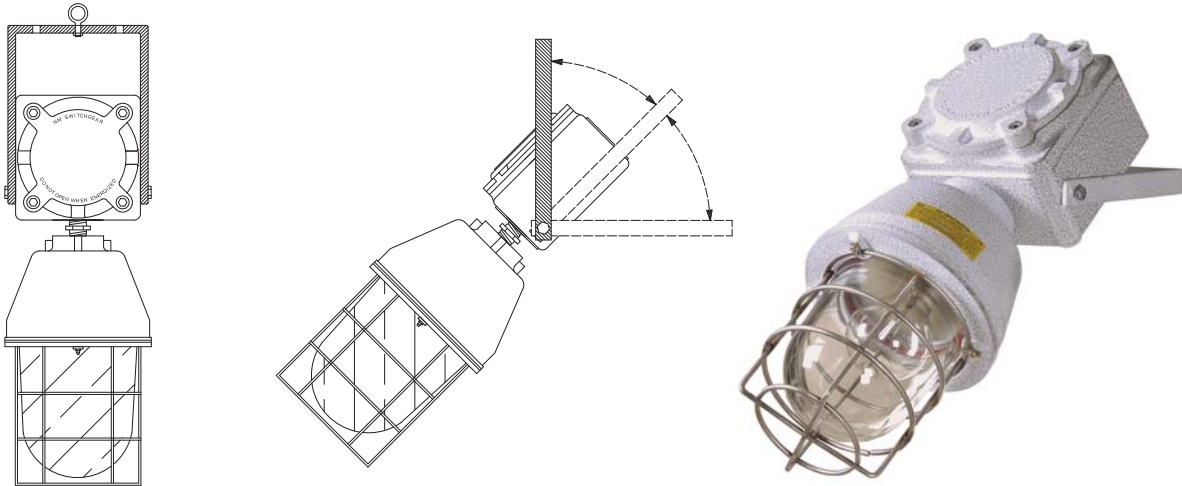
Lamp

نور محور فارس
تولید کننده تجهیزات الکتریکی ضد انفجار
NM SWITCHGEAR
Explosion Proof Electrical Supplies



NMLD.. Installation Types and Accessories

All our high-pressure discharge lamp light fittings are supplied with separate power unit enclosure. This is of utmost importance to prevent direct heat from the lamp damaging the ballast, starter and capacitor if they were all to be placed in the same enclosure with the lamp.

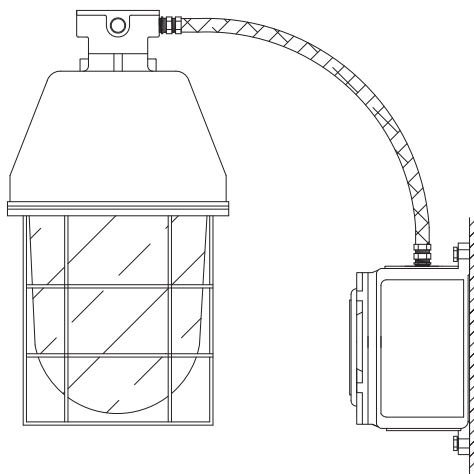


Light fittings of up to 250W are coupled to the power unit enclosure and supplied with bracket and an eye bolt as standard which suits most installations.

The bracket has 3 holes, with the eye bolt in the middle hole used when the fixture is to be installed in suspension mode. In applications, other than suspension, the eye bolt is removed and the 2 side holes are used to attach the fixture to wall, ceiling,

The light fixture can be adjusted at any angle and remains firm and stable by the use of bolts and shake proof washers provided.

Other types of installation accessories supplied on request.



In 400 W light fittings the power unit is installed separate, electrically connected by cable to the light fitting.



Marking to ATEX 94/9/EC Directive: Ex II 2 G Ex d IIC T4 or T3 Gb / II 2 D Ex tb IIIC T126°C or T141°C Db IP66

Zone: 1, 2, 21, 22 , Gas Group IIC

Compliance with: IEC 60079-0 : 2007, IEC 60079-1 : 2007, IEC 60079-31 : 2008

EC Type Examination Certificate: ISSeP 09 ATEX 012



FEATURES

- Enclosure:** Copper free aluminium alloy suitable for petroleum and marine locations.
- Glass:** Heat and impact resistant tempered glass sealed onto a threaded metal base.
- Lamp holder:** E40, for up to 400W discharge lamps or 500W incandescent and blended lamps.
- Power unit:** For discharge lamps a separate enclosure is used to accommodate ballast, starter (or capacitor), to avoid direct heat from the lamp damaging these components and give much longer service life.
- Reflector:** Built in aluminium reflector supplied as standard.
- IP rating:** IP66 to IEC 529 / EN 60529.
- Installation:** Designed to be installed and rotate in any horizontal or vertical direction.
- Cable entry:** ISO 965.1 metric as standard. NPT or other threads supplied on request.
- Earthing:** Standard M6 internal and external earth screws.
- Finish:** Electrostatic powder coated or two pack epoxy paint.



OPTIONS

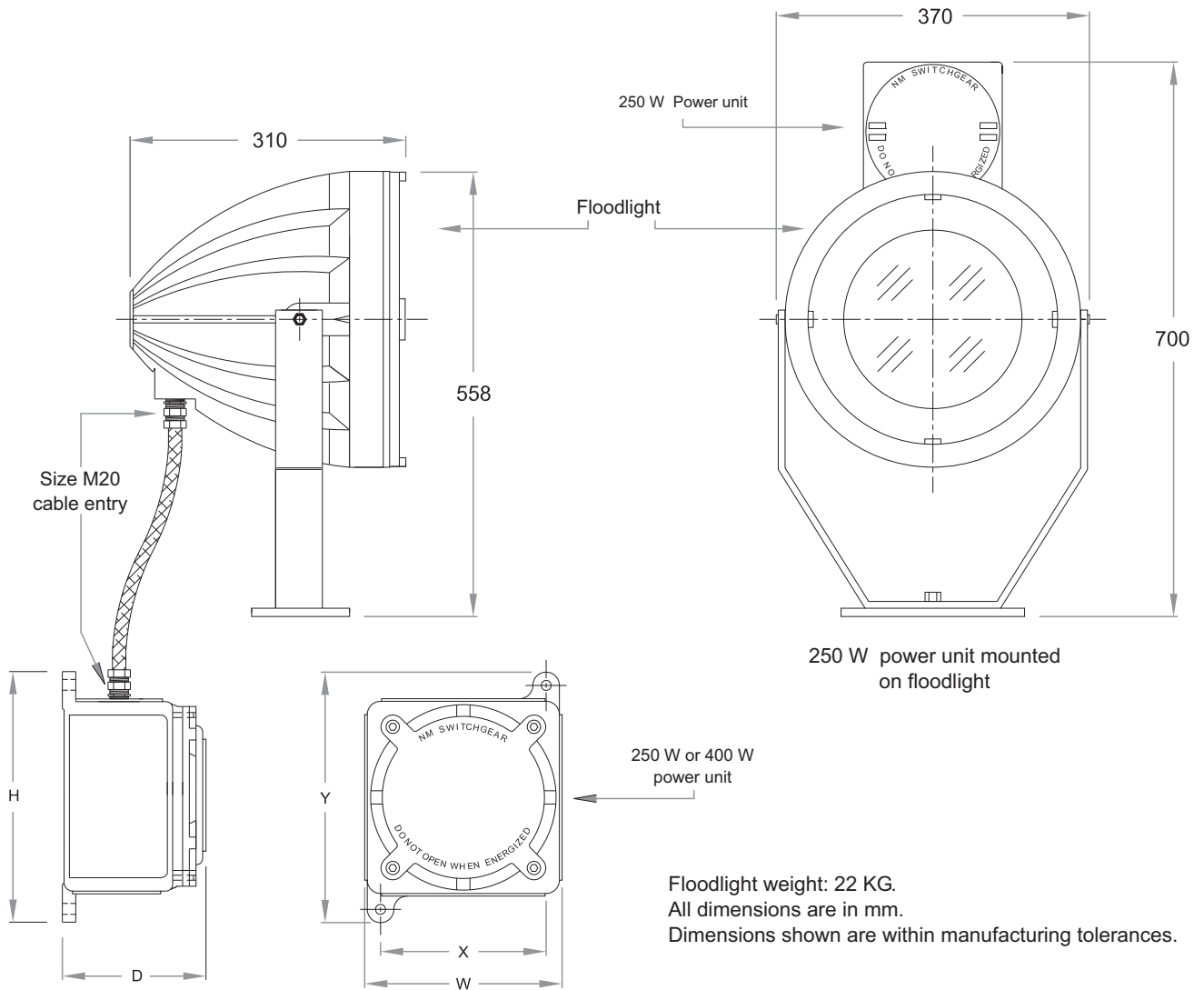
Cable gland.

Lamp.

For 250 watt only: power unit mounted on floodlight enclosure.



NMFL.. Installation Types and Accessories



250W and 400W power units installed separate to floodlight.

Floodlight weight: 22 KG.
All dimensions are in mm.
Dimensions shown are within manufacturing tolerances.

POWER UNIT	WATT	W mm	H mm	D mm	Mounting Detail		Weight kg.
					X	Y	
GUBC34	250	200	200	153	215	217	5.4
GUBSC4	400	255	291	174	217	260	9.8

Dimensions shown are within manufacturing tolerance

Both 250 and 400 watt floodlights have the same construction and dimensions as shown.

Incandescent and blended lamps do not need a separate power unit enclosure.

For discharge lamps two types of aluminium enclosure is used, as power unit, to accommodate the ballast and starter:

1. GUBC34 for 250 watt Floodlight
2. GUBSC4 for 400 watt Floodlight

Both power units may be supplied separate to floodlight, electrically connected by cable and gland, as shown above left.

For 250 watt floodlights, the power unit can also be mounted on floodlight body, as shown above right. For 400 watt the power unit can not be mounted on the floodlight.



Marking to ATEX 94/9/EC Directive: Ex II 2 G Ex d IIC T4 or T3 / II 2 D Ex tD A21 IP65 T130°C or T195°C

Zone: 1, 2, 21, 22 , Gas Group IIC

Compliance with: IEC 60079-0:2004, IEC 60079-1:2003, IEC 61241-0:2004, IEC 61241-1:2004

EC Type Examination Certificate: ISSeP 07 ATEX 022



FEATURES

- Application:** Single or double warning lights normally installed on tower or high buildings for hazard warning.
- Enclosure:** Copper free aluminium alloy suitable for petroleum and marine locations.
- Glass:** Borosilicate tempered glass resistant to impact and sudden heat changes.
- Fresnel globe:** Polycarbonate normally red but also available in yellow, green or blue.
- Lamp:** Long life low power consumption, LED, incandescent, ...
- Control box:** Optional electronic control box for ON-OFF flashing. Also available with adjustable photocell for operation at darkness.
- IP rating:** IP65 to IEC 529 / EN 60529. IP66 by application of an approved non-hardening grease.
- Installation:** Wired to junction box with optional attachments for any type of installation.
- Wire guard:** Stainless steel wire guard supplied with all lighting fixtures, as standard.
- Cable entry:** ISO 965.1 metric as standard. NPT or other threads supplied on request.
- Earthing:** Standard M6 internal and external earth screws.
- Finish:** Electrostatic powder coated or two pack epoxy paint.



NMWL-11D



NMWL-12D

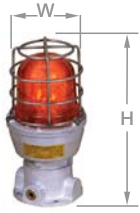
OPTIONS

- Specify "Single" or "Double" warning light.
- Installation attachments, for "Direct" or "Conduit" mounting.
- Fresnel globe color if different from red.
- Control box with adjustable ON-OFF flashing. With or without photocell.
- Voltage transformer: 110 V AC, 24 V AC or DC
- Cable gland.
- Lamp.

نور محور فارس
تولید کننده تجهیزات الکتریکی ضد انفجار
NM SWITCHGEAR
Explosion Proof Electrical Supplies



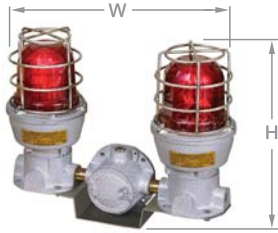
NMWL.. Installation Types and Accessories



Single light - Direct mounting

TYPE	WATT	TEMP CLASS	LAMP HOLDER	H mm	W mm	Weight kg.
NMWL-11D	100	T4	E27	300	150	2.9
NMWL-21D	200	T4 or T3	E27	310	170	3.7

Dimensions shown are within manufacturing tolerances



Double light - Direct mounting

TYPE	WATT	TEMP CLASS	LAMP HOLDER	H mm	W mm	Weight kg.
NMWL-12D	100	T4	E27	340	420	7
NMWL-22D	200	T4 or T3	E27	360	450	8.5

Dimensions shown are within manufacturing tolerances



Single light - Conduit mounting

TYPE	WATT	TEMP CLASS	LAMP HOLDER	H mm	W mm	Weight kg.
NMWL-11C	100	T4	E27	TBA*	150	5.7
NMWL-21C	200	T4 or T3	E27	TBA*	170	6.3

Dimensions shown are within manufacturing tolerances

*To be advised



Double light - Conduit mounting

TYPE	WATT	TEMP CLASS	LAMP HOLDER	H mm	W mm	Weight kg.
NMWL-12C	100	T4	E27	TBA*	420	10.1
NMWL-22C	200	T4 or T3	E27	TBA*	440	11.6

Dimensions shown are within manufacturing tolerances

*To be advised

Each type is supplied with all accessories shown above.
The assembly is completely wired up to the control box.



Marking to ATEX 94/9/EC Directive: Ex II 2 G Ex d IIC T4 / II 2 D Ex tD A21 IP65 T130°C

Zone: 1, 2, 21, 22 , Gas Group IIC

Compliance with: IEC 60079-0:2004, IEC 60079-1:2003, IEC 61241-0:2004, IEC 61241-1:2004

EC Type Examination Certificate: ISSeP 07 ATEX 022



FEATURES

- Application:** Supplied with hook to be easily carried and hanged on the working site.
- Enclosure:** Copper free aluminium alloy suitable for petroleum and marine locations.
- Glass:** Borosilicate tempered glass resistant to impact and sudden heat changes.
- Lamp holder:** E27 for use with incandescent or long life low power consumption lamps.
- Voltage transformer:** Available as optional in separate enclosure for operating voltages other than 220 VAC.
- IP rating:** IP65 to IEC 529 / EN 60529. IP66 by application of an approved non-hardening grease.
- Wire guard:** Stainless steel wire guard supplied with all lighting fixtures as standard.
- Cable entry:** Standard M6 internal and external earth screws.
- Earthing:** ISO 965.1 metric as standard. NPT or other threads on request.
- Finish:** Electrostatic powder coated or two pack epoxy paint.



TRANSFORMER
ENCLOSURE

OPTIONS

- Voltage transformer. Please specify required voltage.
- NPT or other threads cable entry.
- Enameled aluminium reflector.
- Cable gland
- Lamp

نور محور فارس
تولید کننده تجهیزات الکتریکی ضد انفجار
NM SWITCHGEAR
Explosion Proof Electrical Supplies

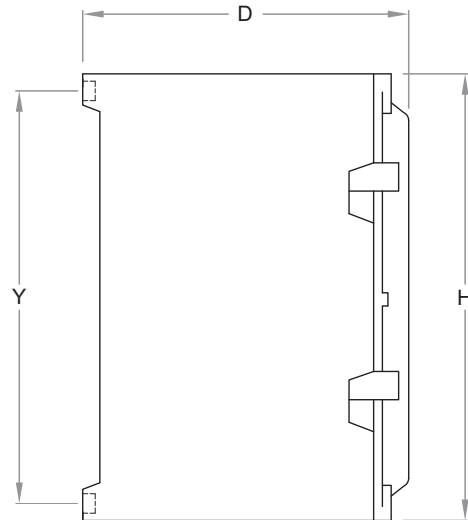
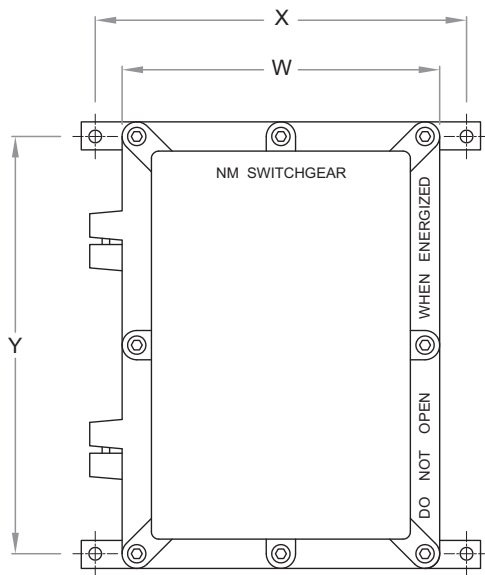


NMLP Portable Hand Lamp and Transformer



TYPE	WATT	TEMP CLASS	LAMP HOLDER	H mm	W mm	Weight kg.
NMLP	up to 100	T4	E27	280	200	2.5

All dimensions are in mm.
Dimensions shown are within manufacturing tolerances



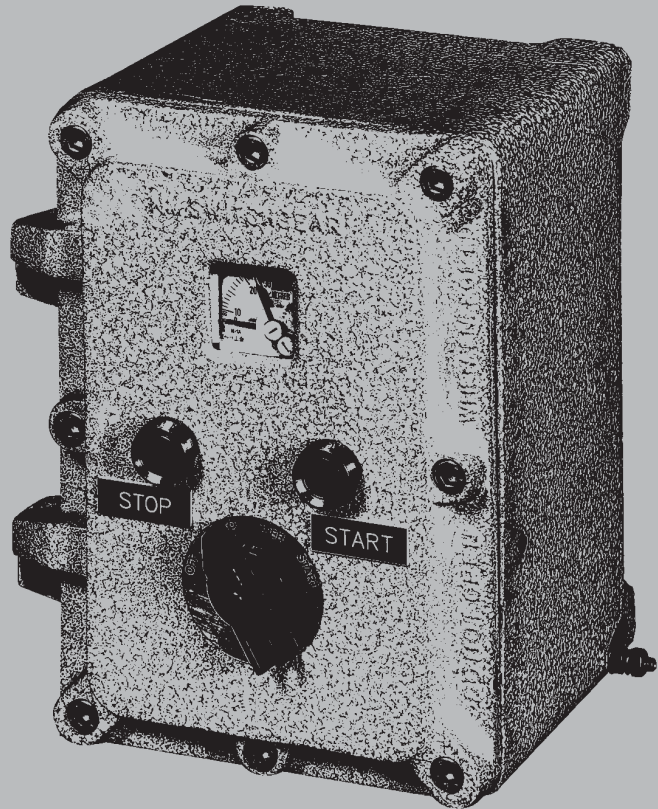
Transformer enclosure.

TYPE	VA rating	TEMP CLASS	W mm	H mm	D mm	Mounting Detail		Weight kg.
						X	Y	
EJBCS1	100	T5	181	256	184	210	230	7.1

All dimensions are in mm.
Dimensions shown are within manufacturing tolerances



www.nmswitchgear.com info@nmf.ir



Control and Signalling Boxes

EJBC.. Ex d IIB Motor Control Stations

GUBSC.. Ex d IIC Motor Control Stations

NMMS.. Ex d IIB & Ex d IIC Motor Starters

NMTR.. Ex d IIB & Ex d IIC Transformers



Marking to ATEX 94/9/EC Directive: Ex II 2 G Ex d IIB T6 or T5 Gb / II 2 D Ex tb IIIC T80°C or T95°C Db IP6X

Zone: 1, 2, 21, 22 , Gas Group IIB

Compliance with: EN 60079-0:2009 (IEC 60079-0:2007), EN/IEC 60079-1:2007,
EN 60079-31:2009, IEC 60079-31:2008

EC Type Examination Certificate: ISSeP 10 ATEX 017X



FEATURES

Application: For operation of motors and a wide range of electrical equipments.

Enclosure: Copper free aluminium alloy suitable for petroleum and marine locations. Cast iron on request.

Range: Emergency stop, start - stop, rotary switch, signal lamp, ammeter or other components can be used in any configuration to suit various requirements. Type of enclosures used is from EJBT (Exd IIB) range.

IP rating: IP65 to IEC 529 by application of an approved non-hardening grease for added resistance to ingress of dust and moisture. IP66 & IP67 supplied on request.

Cable entry: ISO 965.1 metric as standard. NPT or other threads supplied on request.

Earthing: Standard M6 internal and external earth screws. Larger sizes on request.

Finish: Electrostatic powder coated or two pack epoxy paint.



OPTIONS

Stainless steel screws.

Mounting brackets.

Cable gland or stopping plug.

Larger size than M6 earth screw.

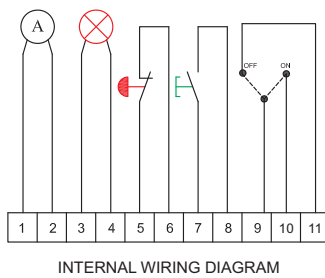
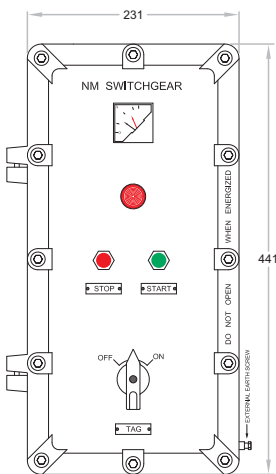
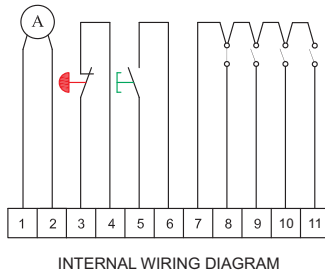
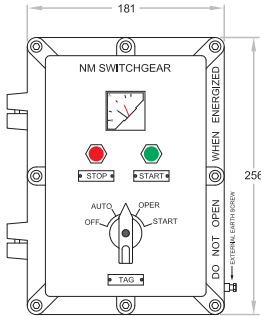
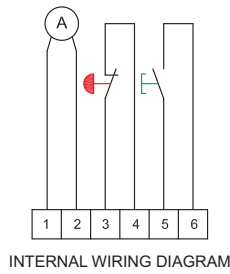
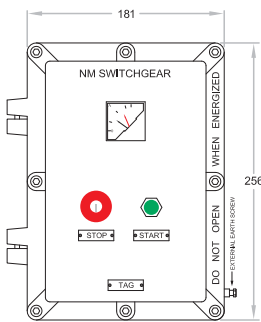
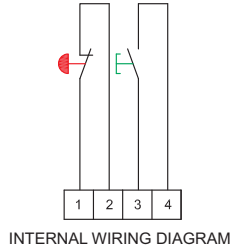
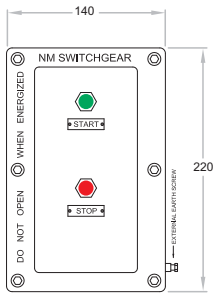
Cast iron enclosure.

نور محور فارس
تولید کننده تجهیزات الکتریکی ضد انفجار

NM SWITCHGEAR
Explosion Proof Electrical Supplies



Typical examples of Exd IIB Control Stations





Marking to ATEX 94/9/EC Directive: Ex II 2 G Ex d IIB T6 or T5 Gb / II 2 D Ex tb IIIC T80°C or T95°C Db IP6X

Zone: 1, 2, 21, 22 , Gas Group IIB

Compliance with: EN 60079-0:2009 (IEC 60079-0:2007), EN/IEC 60079-1:2007, EN 60079-31:2009, IEC 60079-31:2008

EC Type Examination Certificate: ISSeP 10 ATEX 017X



FEATURES

Application: For operation of motors and a wide range of electrical equipments.

Enclosure: Copper free aluminium alloy suitable for petroleum and marine locations. Cast iron on request.

Range: Emergency stop, start - stop, rotary switch, signal lamp, ammeter or other components can be used in any configuration to suit various requirements. Type of enclosures used is from GUBST (Exd IIC) range.

IP rating: IP65 to IEC 529 by application of an approved non-hardening grease for added resistance to ingress of dust and moisture. IP66 & IP67 supplied on request.

Cable entry: ISO 965.1 metric as standard. NPT or other threads supplied on request.

Earthing: Standard M6 internal and external earth screws. Larger sizes on request.

Finish: Electrostatic powder coated or two pack epoxy paint.



OPTIONS

Stainless steel screws.

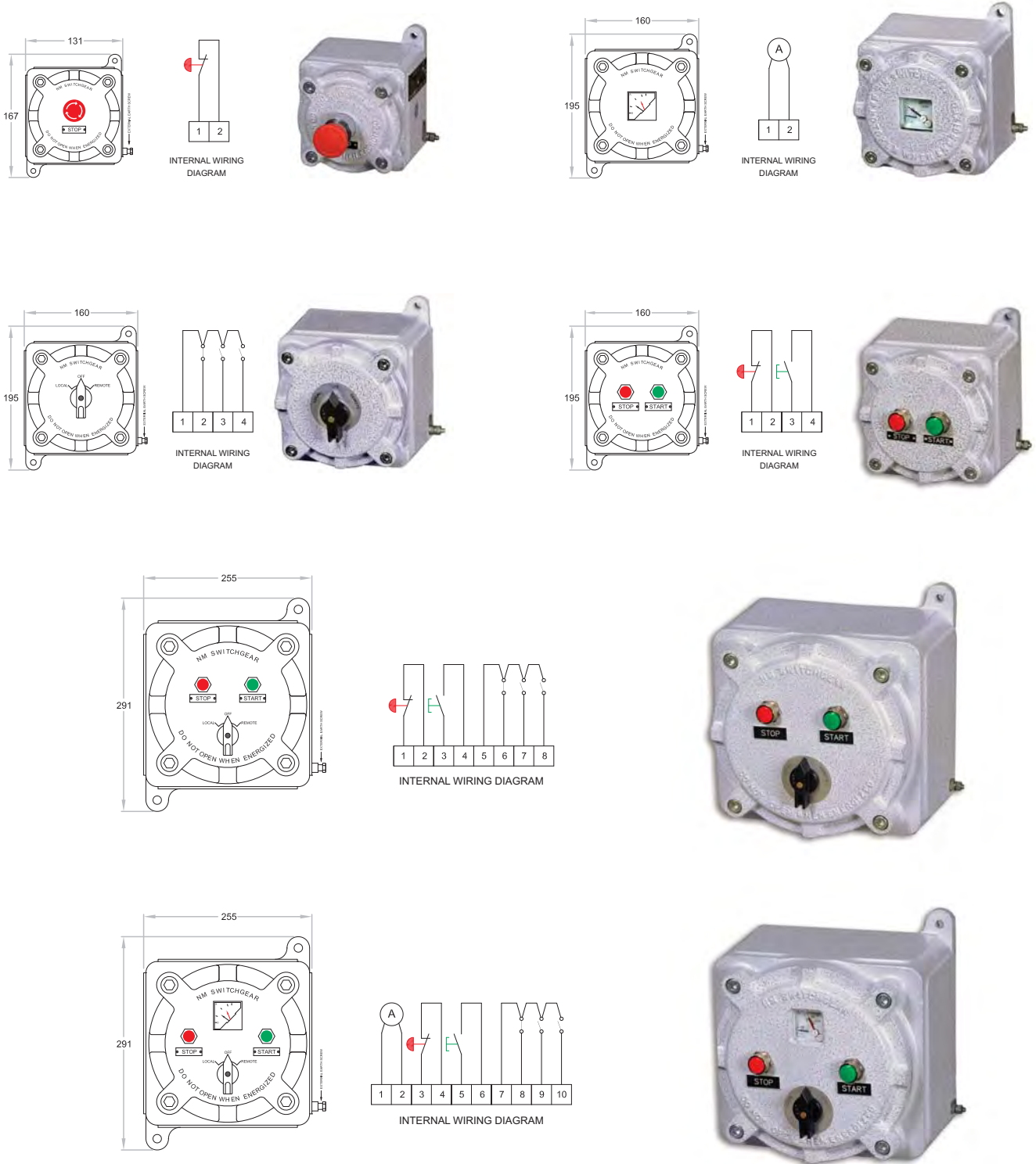
Cable gland or stopping plug.

Larger size than M6 earth screw.

Cast iron enclosure.



Typical examples of Exd IIC Control Stations





Marking to ATEX 94/9/EC Directive: Ex II 2 G Ex d IIB T6 or T5 Gb / II 2 D Ex tb IIIC T80°C or T95°C Db IP6X

Ex II 2 G Ex d IIC T6 or T5 Gb / II 2 D Ex tb IIIC T80°C or T95°C Db IP6X

Zone: 1, 2, 21, 22 , Gas Group IIB or IIC

Compliance with: EN 60079-0:2009 (IEC 60079-0:2007), EN/IEC 60079-1:2007, EN 60079-31:2009, IEC 60079-31:2008

EC Type Examination Certificate: ISSeP 10 ATEX 017X



FEATURES

Enclosure: Copper free aluminium alloy suitable for petroleum and marine locations. Cast iron on request.

Rating: Motor starters of Direct on Line or Star/Delta type for up to 110 kw rating.

IP rating: IP65 to IEC 529 by application of an approved non-hardening grease for added resistance to ingress of dust and moisture. IP66 & IP67 supplied on request.

Cable entry: ISO 965.1 metric as standard. NPT or other threads supplied on request.

Earthing: Standard M6 internal and external earth screws. Larger sizes on request.

Finish: Electrostatic powder coated or two pack epoxy paint.



Ex d IIB Motor Starter



Ex d IIC Motor Starter

OPTIONS

Stainless steel screws.

Mounting accessories.

Cable gland and stoping plug.

Larger than M6 earth screw.

Cast iron enclosure.

نور محور فارس
تولید کننده تجهیزات الکتریکی ضد انفجار

NM SWITCHGEAR
Explosion Proof Electrical Supplies



ORDERING INFORMATION

A range of "Direct on line" and "Star / Delta" Motor starters up to 110 KW, all with local start / stop reset push buttons.

A padlockable isolator is available for up to 75 KW motors - specify when ordering. Isolator for 110 KW version supplied separately for site mounting. Overloads cover the range 0.1A to 250A all with single phase protection. Please specify rating required when ordering.

Variations on our standard range can include remote control, control transformers, running lamps, as well as voltage and frequency, all available on request.

MOTOR STARTER ENCLOSURES

For Ex d IIB applications enclosures used are from our ATEX certified EJBT range.

For Ex d IIC enclosures used are from our ATEX certified GUBST range.

kw Rating	Up to 5.5	7.5	11.5	15.0	18.5	22.0	30.0	37.0	45.0	55.0	75.0	110.0
Cat. No.	NMMS1	NMMS2	NMMS3	NMMS4	NMMS5	NMMS6	NMMS7	NMMS8	NMMS9	NMMS10	NMMS11	NMMS12



Marking to ATEX 94/9/EC Directive: Ex II 2 G Ex d IIB T6 or T5 Gb / II 2 D Ex tb IIIC T80°C or T95°C Db IP6X

Ex II 2 G Ex d IIC T6 or T5 Gb / II 2 D Ex tb IIIC T80°C or T95°C Db IP6X

Zone: 1, 2, 21, 22 , Gas Group IIB or IIC

Compliance with: EN 60079-0:2009 (IEC 60079-0:2007), EN/IEC 60079-1:2007, EN 60079-31:2009, IEC 60079-31:2008

EC Type Examination Certificate: ISSeP 10 ATEX 017X



FEATURES

Enclosure: Copper free aluminium alloy suitable for petroleum and marine locations. Cast iron on request.

Rating: From 100 VA up to 3000 VA. Variation can be supplied to customer specifications.

IP rating: IP65 to IEC 529 by application of an approved non-hardening grease for added resistance to ingress of dust and moisture. IP66 & IP67 supplied on request.

Cable entry: ISO 965.1 metric as standard. NPT or other threads supplied on request.

Earthing: Standard M6 internal and external earth screws. Larger sizes on request.

Finish: Electrostatic powder coated or two pack epoxy paint.



Ex d IIC Transformer



Ex d IIB Transformer

OPTIONS

Variations to our standard VA ratings.

Stainless steel screws.

Mounting accessories.

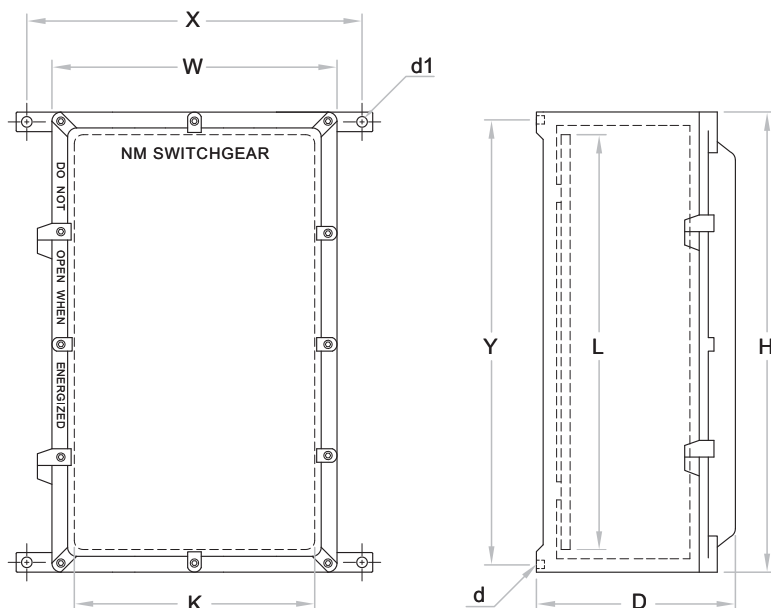
Cable gland and stoping plug.

Larger than M6 earth screw.

Cast iron enclosure.

نور محور فارس
تولید کننده تجهیزات الکتریکی ضد انفجار
NM SWITCHGEAR
Explosion Proof Electrical Supplies



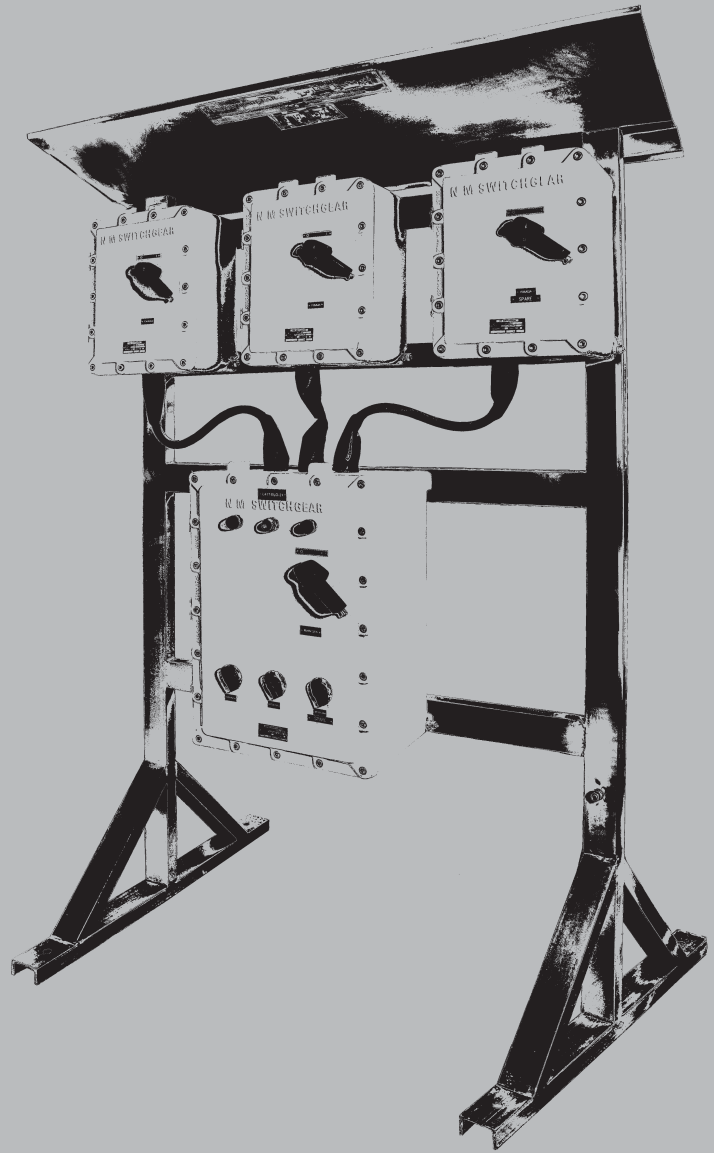


ENCLOSURE		OVERALL DIMENSIONS			MOUNTING DETAILS				MOUNTING PALTE	
VA Rating	CAT NO.	W	H	D	X	Y	d	d1	K	L
100	NMTR1	181	256	184	210	230	M8	10 ∅	120	200
250	NMTR2	231	441	196	272	407	M8	10 ∅	167	375
500	NMTR3	231	441	196	272	407	M8	10 ∅	167	375
750	NMTR4	325	430	222	370	362	M10	12 ∅	255	345
1000	NMTR5	325	430	222	370	362	M10	12 ∅	255	345
1500	NMTR6	325	430	222	370	362	M10	12 ∅	255	345
2000	NMTR7	325	430	222	370	362	M10	12 ∅	255	345
2500	NMTR8	325	430	222	370	362	M10	12 ∅	255	345
3000	NMTR9	442	645	327	480	587	M10	12 ∅	350	565

Above enclosures are certified Ex d IIB from our EJB range.
For Ex d IIC applications suitable enclosures are supplied from our GUBS range.



www.nmswitchgear.com info@nmf.ir



Distribution & Lighting Panels

Distribution and Lighting Panels



Marking to ATEX 94/9/EC Directive: Ex II 2 G Ex d IIB T6 or T5 Gb / II 2 D Ex tb IIIC T80°C or T95°C Db IP6X

Ex II 2 G Ex d IIC T6 or T5 Gb / II 2 D Ex tb IIIC T80°C or T95°C Db IP6X

Zone: 1, 2, 21, 22 , Gas Group IIB or IIC

Compliance with: EN 60079-0:2009 (IEC 60079-0:2007), EN/IEC 60079-1:2007,
EN 60079-31:2009, IEC 60079-31:2008

EC Type Examination Certificate: ISSeP 10 ATEX 017X



FEATURES

- Construction:** Single or multi enclosure panels are built to customer specifications
- Enclosure:** Copper free aluminium alloy suitable for petroleum and marine locations. Cast iron on request.
- IP rating:** Up to IP65 and IP66 to IEC 529. IP67 supplied on request.
- Cable entry:** ISO 965.1 metric as standard. NPT or other threads supplied on request.
- Earthing:** Standard M6 internal and external earth screws. Larger sizes on request.
- Finish:** Electrostatic powder coated or two pack epoxy paint.



OPTIONS

- Stainless steel screws.
- Larger than M6 earth screw.
- Cast iron enclosures.

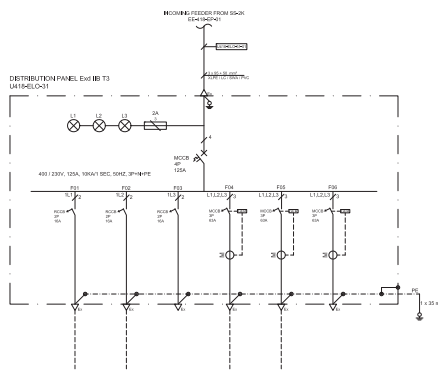
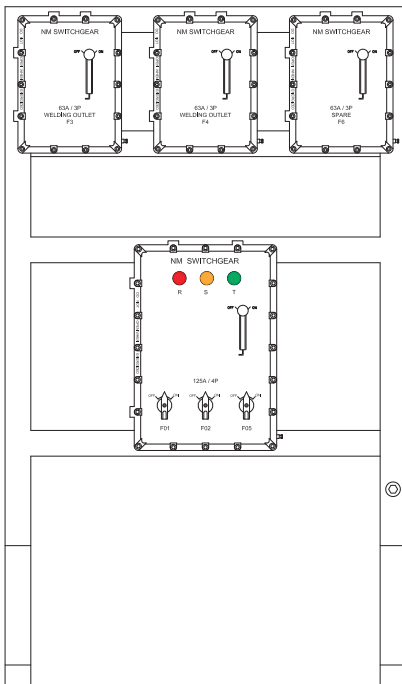
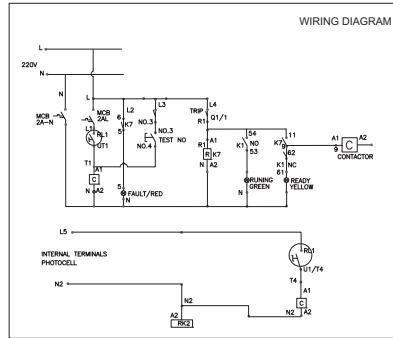
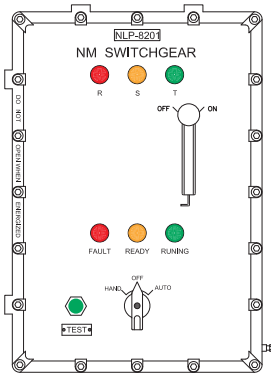
30

نور محور فارس
تولید کننده تجهیزات الکتریکی ضد انفجار
NM SWITCHGEAR
Explosion Proof Electrical Supplies



Distribution and Lighting Panels

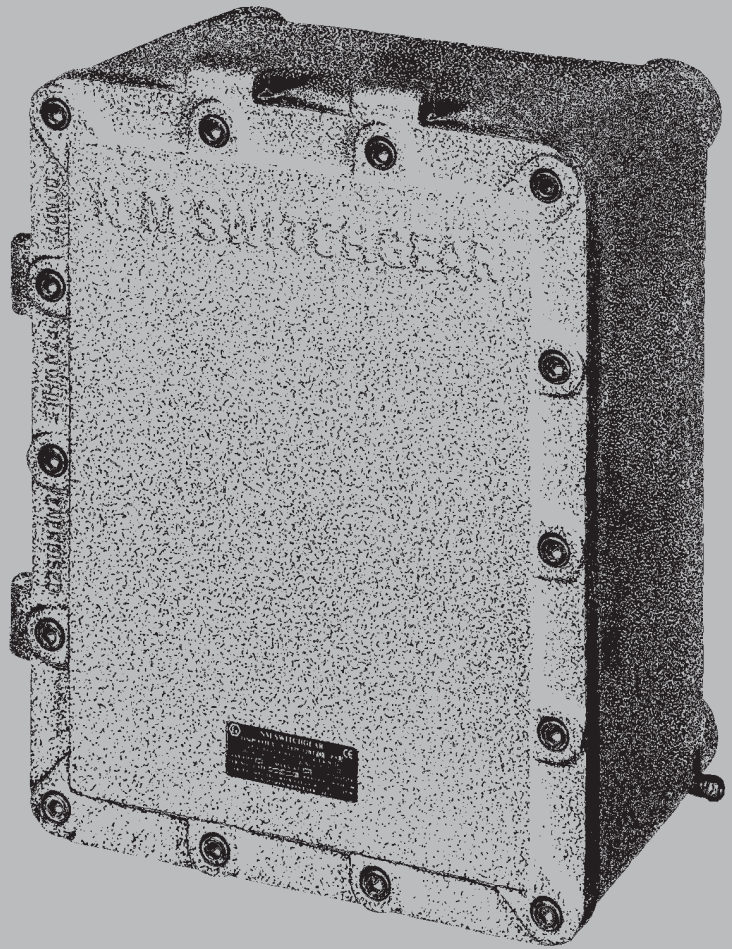
Distribution and lighting panels consisting of a single or a number of enclosures are built to customer specifications. Multi enclosure panels can be assembled on a steel pedestal with all internal and interconnecting cables or conduit system, complete and ready for delivery to work site for final installation and operation.



نور محور فارس
NM SWITCHGEAR



www.nmswitchgear.com info@nmf.ir



Junction Boxes & Terminal Boxes

EJBT..	Ex d IIB Junction Boxes
GUBST..	Ex d IIC Junction Boxes
GUA & GUFX2	Ex d IIC Junction and Pulling Boxes
NMA..	Ex e II Increased Safety Terminal Boxes



Marking to ATEX 94/9/EC Directive: Ex II 2 G Ex d IIB T6 Gb / II 2 D Ex t IIIC T80°C Db IP6X

Zone: 1, 2, 21, 22 , Gas Group IIB

Compliance with: IEC 60079-0:2007, EN 60079-1:2007 (IEC 60079-1:2007)

EC Type Examination Certificate: ISSeP 08 ATEX 015



FEATURES

Enclosure: Copper free aluminium alloy suitable for petroleum and marine locations. Cast iron on request.

Application: EJBT range of enclosures are used with terminals fitted inside as junction boxes.

Range: Manufactured in a range of sizes (table1) for varying number of terminals with different current ratings (table2).

IP rating: IP65 to IEC 529 by application of an approved non-hardening grease for added resistance to ingress of dust and moisture. IP66 & IP67 on request.

Cable entry: ISO 965.1 metric as standard. NPT or other threads supplied on request.

Earthing: Standard M6 internal and external earth screws. Large sizes on request.

Finish: Electrostatic powder coated or two pack epoxy paint.



EJBT10

EJBTS1

EJBTS2

EJBT3

EJBT4R

EJBT5

OPTIONS

Stainless steel screws.

Mounting brackets.

Larger size than M6 earth screw.

Cast iron enclosure.

نور محور فارس
تولید کننده تجهیزات الکتریکی ضد انفجار
NM SWITCHGEAR
Explosion Proof Electrical Supplies



EJBT.. Junction Boxes & Terminal Boxes

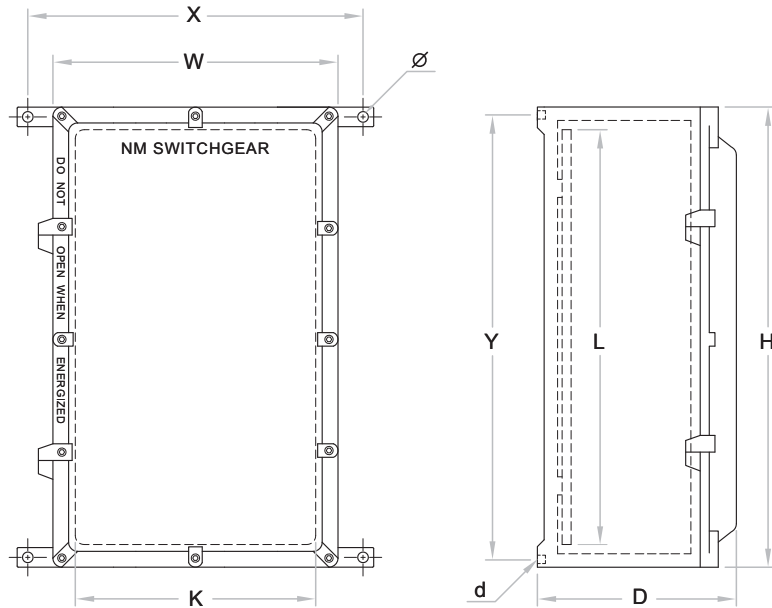


Table 1. EJBT range of enclosures and dimensions (in mm.)

Enclosures always available in stock

ENCLOSURE	OVERALL DIMENSIONS			MOUNTING DETAILS				MOUNTING PALTE		WEIGHT KGS.
	W	H	D	X	Y	d	∅	K	L	
CAT NO.	W	H	D	X	Y	d	∅	K	L	
EJBT10	140	220	111	180	198	M6	8	88	177	3.9
EJBTS1	181	256	184	210	230	M8	10	120	200	7.1
EJBTS2	231	441	196	272	407	M8	10	167	375	15.5
EJBT3	267	344	279	302	308	M8	10	195	275	21.2
EJBT4R	325	430	222	370	362	M10	12	255	345	23.5
EJBT5	442	645	327	480	587	M10	12	350	565	57.4

Enclosures manufactured on request

ENCLOSURE	OVERALL DIMENSIONS			MOUNTING DETAILS				MOUNTING PALTE		WEIGHT KGS.
	W	H	D	X	Y	d	∅	K	L	
CAT NO.	W	H	D	X	Y	d	∅	K	L	
EJBT15	140	220	164	180	198	M6	8	88	177	4.8
EJBT1	130	440	157	160	420	M8	10	75	380	10.2
EJBT2	200	400	196	225	370	M8	10	130	335	14.4
EJBT3R	267	344	222	302	308	M8	10	195	257	16.8
EJBT4	325	430	282	370	361	M10	12	255	345	30.4
EJBT5R	442	645	240	480	587	M10	12	350	565	44.0

Dimensions shown are within manufacturing tolerances

Table 2. Terminal characteristics / No. of poles

TERMINAL CURRENT (AMPS)	MAXIMUM NO. OF TERMINALS PER ENCLOSURE							
	EJBT 10/15	EJBTS1	EJBTS2	EJBT1	EJBT2	EJBT3 / 3R	EJBT4 / 4R	EJBT5 / 5R
Up to 27	26	30	110	56	110	80	200	420
Up to 36	24	26	100	50	100	72	192	400
Up to 47	19	20	84	40	84	60	152	330
Up to 65	...	16	68	34	60	48	120	260
Up to 87	...	14	56	28	24	40	50	130
Up to 145	...	10	40	...	16	26	32	90
Up to 220	6	...	4	10	14	48
Up to 265	8	10	38
Up to 415	6	10
Up to 600	5	9



Marking to ATEX 94/9/EC Directive: Ex II 2 G Ex d IIC T6 Gb / II 2 D Ex t IIIC T 80°C Db IP6X

Zone: 1, 2, 21, 22 , Gas Group IIC

Compliance with: IEC 60079-0:2007, IEC/EN 60079-1:2007

EC Type Examination Certificate: ISSeP 08 ATEX 015



FEATURES

Enclosure: Copper free aluminium alloy suitable for petroleum and marine locations. Cast iron on request.

Application: GUBST range of enclosures are used with terminals fitted inside as junction boxes.

Range: Manufactured in a range of sizes (table1) for varying number of terminals with different current ratings (table2).

IP rating: IP66 to IEC 529 by application of an approved non-hardening grease for added resistance to ingress of dust and moisture. IP67 on request.

Cable entry: ISO 965.1 metric as standard. NPT or other threads supplied on request.

Earthing: Standard M6 internal and external earth screws. Larger sizes on request.

Finish: Electrostatic powder coated or two pack epoxy paint.



GUBST1

GUBST2

GUBST3

GUBST4

GUBST5

OPTIONS

Stainless steel screws.

Larger size than M6 earth screw.

Cast iron enclosure.

نور محور فارس
تولید کننده تجهیزات الکتریکی ضد انفجار
NM SWITCHGEAR
Explosion Proof Electrical Supplies



GUBST.. Junction Boxes & Terminal Boxes

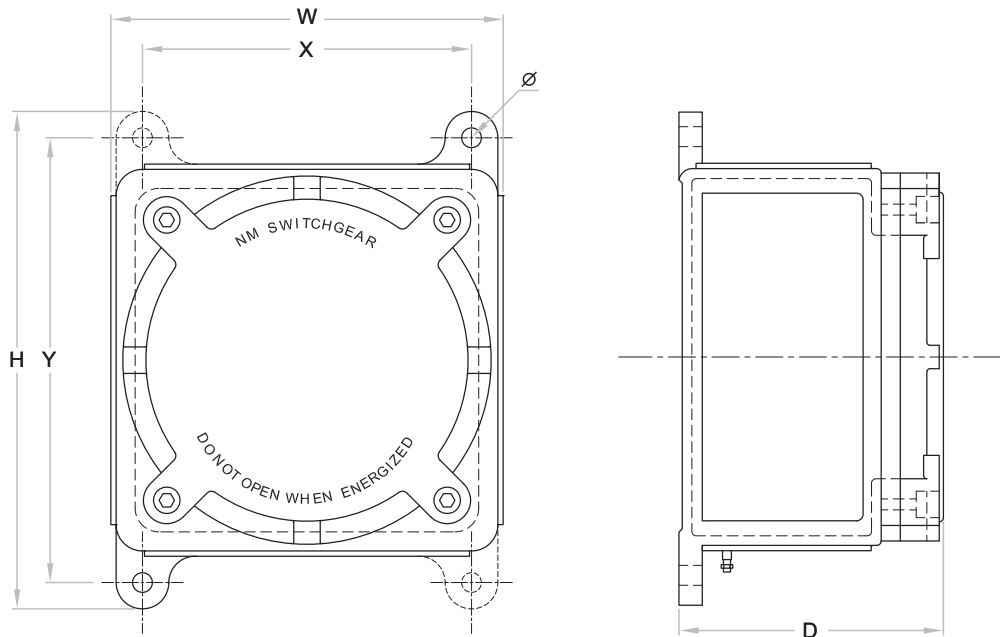


Table 1. GUBST range of enclosures and dimensions (in mm.)

ENCLOSURE	OVERALL DIMENSIONS			MOUNTING DETAILS				WEIGHT KGS.
	CAT NO.	W	H	D	X	Y	Ø	
GUBST1	131	167	125	97	151	8	2	2.7
GUBST2	160	195	135	125	174	8	2	3.8
GUBST3	181	220	138	150	193	8	2	4.2
GUBST4	255	291	174	217	260	10	2	9.8
GUBST5	318	378	245	275	337	14	4	19.2

Dimensions shown are within manufacturing tolerances

Table 2. Terminal characteristics / No. of poles

TERMINAL CURRENT (AMPS)	MAXIMUM NO. OF TERMINALS PER ENCLOSURE				
	GUBST1	GUBST2	GUBST3	GUBST4	GUBST5
Up to 27	10	14	17	46	90
Up to 36	10	13	16	42	78
Up to 47	8	10	13	34	66
Up to 65	6	8	10	28	54
Up to 87	5	7	9	11	30
Up to 145	4	4	5	8	10
Up to 220	8
Up to 265	6
Up to 415	3
Up to 600	3



Marking to ATEX 94/9/EC Directive: Ex II 2 G / Ex d IIC T6

Zone: 1, 2, 21, 22 , Gas Group IIC

Compliance with: IEC 60079-0:2004, IEC 60079-1:2003

EC Type Examination Certificate: ISSeP 05 ATEX 064



FEATURES

Enclosure: Copper free aluminium alloy suitable for petroleum and marine locations. Cast iron on request.

Application: Used with either rigid conduit or cable systems with cable glands. With or without terminals.

Range: Different hub arrangements: 1, 2, 3, 4 ways for varying number of terminals (table1).

IP rating: IP65 (min.) with gasket. IP66 by application of an approved non-hardening grease.

Cable entry: ISO 965.1 metric as standard. NPT or other threads supplied on request.

Earthing: Standard M6 internal and external earth screws.

Finish: Electrostatic powder coated or two pack epoxy paint.



GUFX2



GUAX59

OPTIONS

Stainless steel screws.

Mounting bracket for GUAX59.

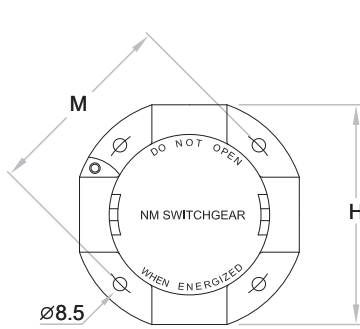
Cast iron enclosure.



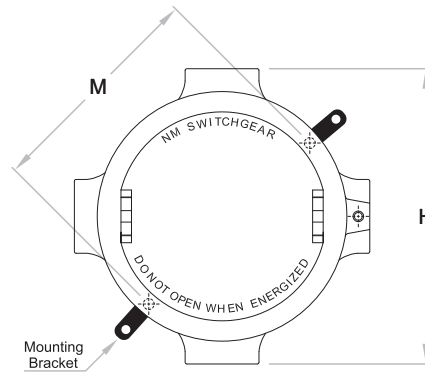
GUFX2 & GUAX59 Junction and Pulling Boxes

Table 1. GUFX2 & GUAX59 enclosures and dimensions (in mm.)

TYPE	ENTRIES	DIMENSIONS				MOUNTING HOLES (M)	WEIGHT KGS.
		W	H	D	A		
GUFX2	Up to 4 x M25 or Up to 4 x ¾"	125	125	83	90	114	0.85
GUAX 59	Up to 4 x M40 or Up to 4 x 1 ½"	164	164	107	140	107	1.60



GUFX2



GUAX59

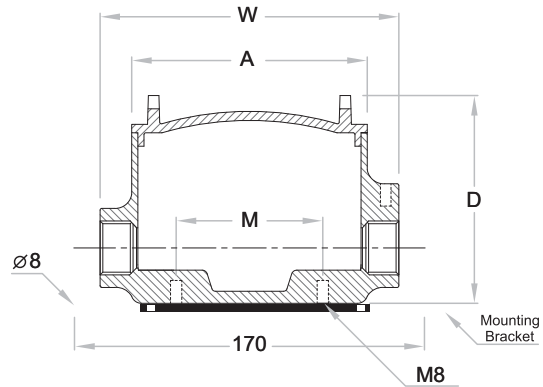
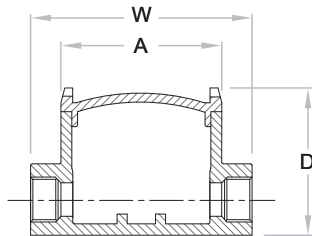


Table 2. Terminal characteristics / No. of poles

TYPE	Maximum number of terminals allowed					
	2.5 mm ²	4.0 mm ²	6.0 mm ²	10.0 mm ²	16.0 mm ²	25.0 mm ²
	Current 20 A	Current 32 A	Current 48 A	Current 70 A	Current 80 A	Current 115 A
GUFX2	5	5	4	3	3	2
GUAX 59	12	12	11	9	7	6



Marking to ATEX 94/9/EC Directive: Ex II 2 G / Ex e II T6 or T5

Zone: 1, 2, 21, 22 , Gas Group IIC

Compliance with: IEC 60079-0:2004, IEC 60079-7:2001

EC Type Examination Certificate: ISSeP 05 ATEX 067 X



FEATURES

Enclosure: Copper free diecast aluminium alloy suitable for petrochemical and marine locations.

Application: NMA range of enclosures are used with terminals fitted inside as terminal boxes.

Range: Manufactured in a range of sizes for varying number of certified Ex`e` terminals.

IP rating: IP66 by using an oil and petrol resistant neoprene lid gasket for temperature -40 °C to +120 °C.

Cable entry: ISO 965.1 metric as standard. NPT or other threads supplied on request.

Earthing: Standard M6 internal and external earth screw.

Finish: Electrostatic powder coated or two pack epoxy paint.



OPTIONS

Stainless steel screws.

Mounting brackets.

نور محور فارس
تولید کننده تجهیزات الکتریکی ضد انفجار
NM SWITCHGEAR
Explosion Proof Electrical Supplies



NMA.. Increased Safety Terminal Boxes

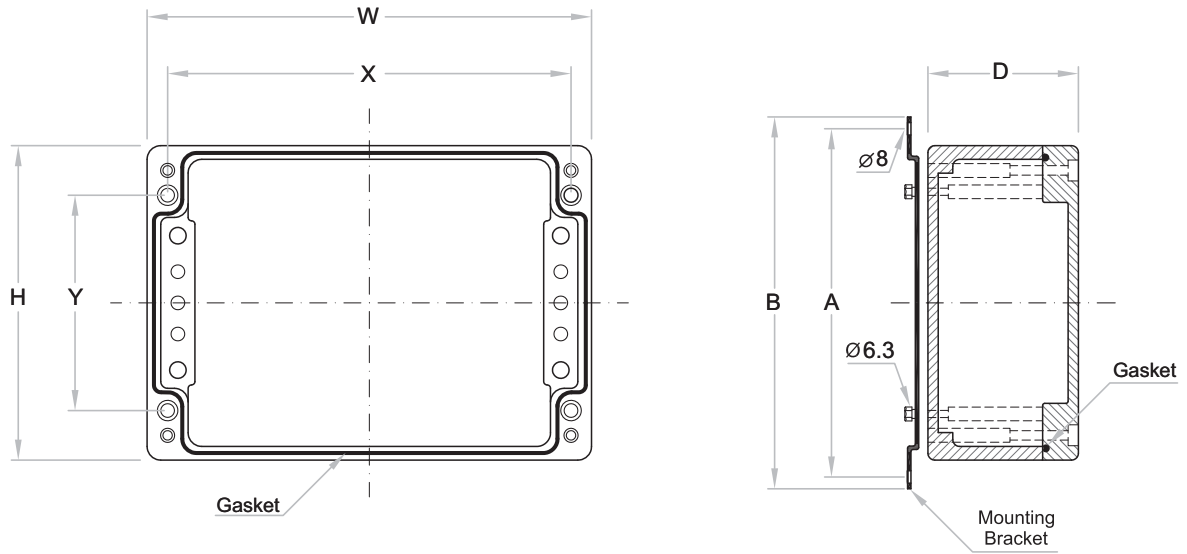


Table 1. NMA range of enclosures and dimensions (in mm)

ENCLOSURE CAT NO.	Overall dimensions					MOUNTING HOLES (A)	MOUNTING BRACKET (B)
	W	H	D	X	Y		
NMA11	122	120	80	106	82	145	175
NMA12	220	120	80	204	82	150	180
NMA14	160	160	90	140	110	190	220
NMA15	260	160	90	240	110	190	220
NMA17	360	160	90	340	110	190	220
NMA18	230	200	110	180	180	230	260
NMA20	330	230	110	310	180	260	290

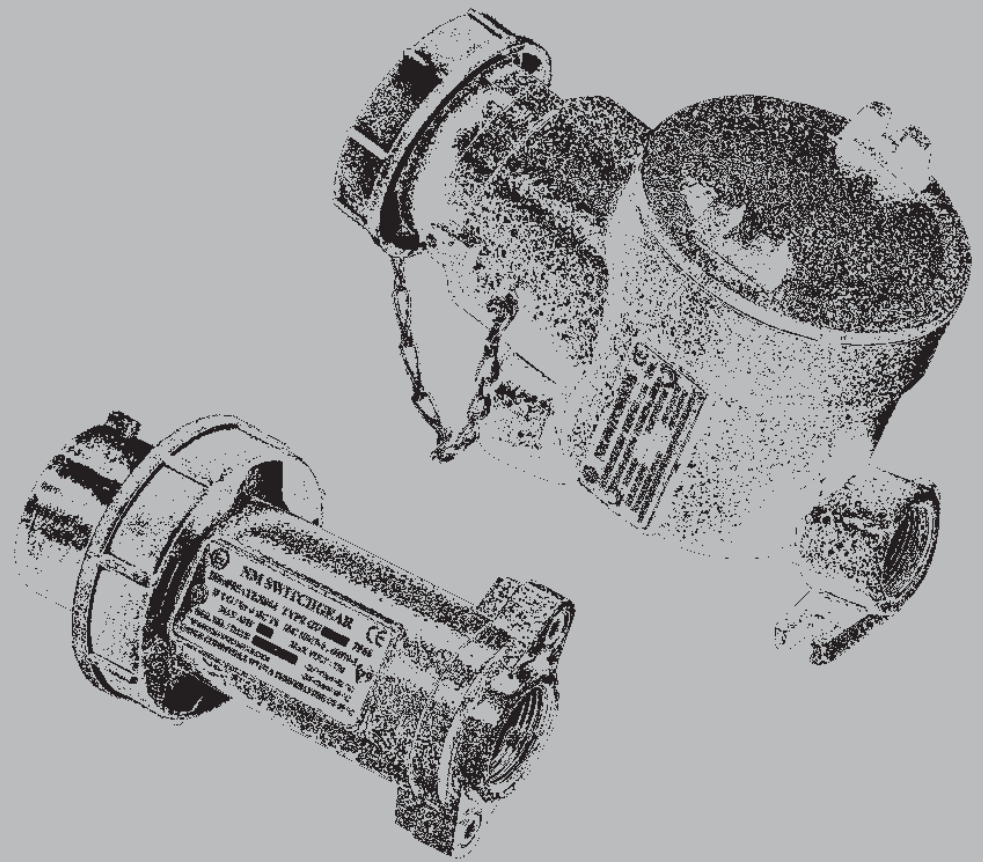
Dimensions shown are within manufacturing tolerances.

Table 2. Maximum No. of entries per side / Terminal characteristics, No. of poles

ENCL. CAT NO.	ENTRIES (Long side)					ENTRIES (Short side)					Maximum number of terminals allowed				
	M 16	M 20	M 25	M 32	M 40	M 16	M 20	M 25	M 32	M 40	2.5 mm ²	4.0 mm ²	6.0 mm ²	10.0 mm ²	16.0 mm ²
NMA11	6	6	4	2	1	4	4	3	1	1	1 x 14	1 x 10	1 x 7	1 x 6	1 x 5
NMA12	15	14	12	6	4	4	4	3	1	1	1 x 34	1 x 26	1 x 20	1 x 16	1 x 13
NMA14	14	8	8	5	3	8	6	6	2	2	1 x 22	1 x 16	1 x 11	1 x 10	1 x 8
NMA15	27	16	16	11	6	8	6	6	2	2	1 x 41	1 x 33	1 x 23	1 x 20	1 x 16
NMA17	32	24	24	17	9	8	6	6	2	2	1 x 60	1 x 50	1 x 38	1 x 30	1 x 25
NMA18	26	18	15	10	6	21	12	12	8	5	2 x 28	2 x 24	2 x 18	2 x 14	2 x 12
NMA20	38	30	21	18	12	21	12	12	8	5	2 x 54	2 x 40	2 x 34	2 x 27	2 x 22



www.nmswitchgear.com info@nmf.ir



Socket & Plug



Marking to ATEX 94/9/EC Directive: Ex II 2 G Ex d IIC T5 Gb / II 2 D Ex tb IIIC Db IP66

Zone: 1, 2, 21, 22 , Gas Group IIC

Compliance with: IEC 60079-0 : 2007, IEC 60079-1 : 2007, IEC 60079-31 : 2008

EC Type Examination Certificate: ISSeP 11 ATEX



FEATURES

- Plug and socket with die cast aluminium housing suitable for petroleum and marine locations.
- Different ratings up to 63 Amp. 2, 3 or 4 pins plus earth.
- Interlocked switched socket contacts on the unit are never accessible when live.
- Switching only possible when plug fully inserted and cannot be withdrawn with switch in ON position.
- Nickel plated brass pins embedded in glass reinforced polyamide pin holder.
- Stainless steel screws and M6 internal / external earth studs.
- Socket closing cover with chain: GRP for 16 or 25 Amp., and aluminium for 32 or 63 Amp.
- Cable entry can be from bottom or top side.
- Hub sizes: M20 or M25 for 16 and 25 Amp., M32 or M40 for 32 or 63 Amp.
- Cable entry threads: ISO 965.1 metric as standard . NPT or other threads supplied on request.
- Finish: Electrostatic powder coated or two pack epoxy paint.



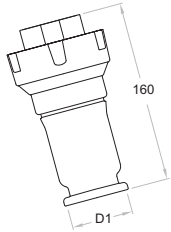
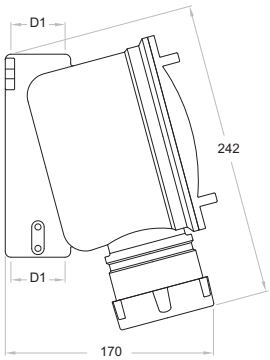
OPTIONS

- Voltage transformer in Ex 'd' housing for plugs & sockets operating on reduced voltages (24V 110V)
- NPT or other threads cable entry.
- Cable gland.

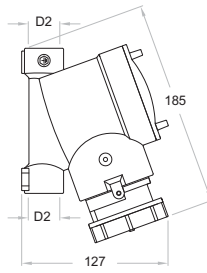


NMSP.. Sockets and Plugs

Dimensions are in mm.

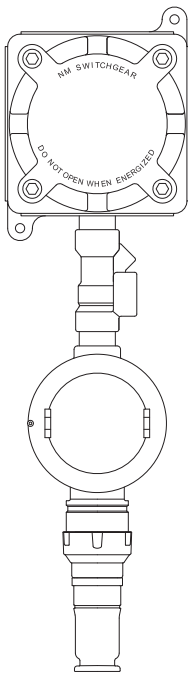


Sockets and plugs, 32 and 63 Amp
D1: M32, M40 or NPT equivalent

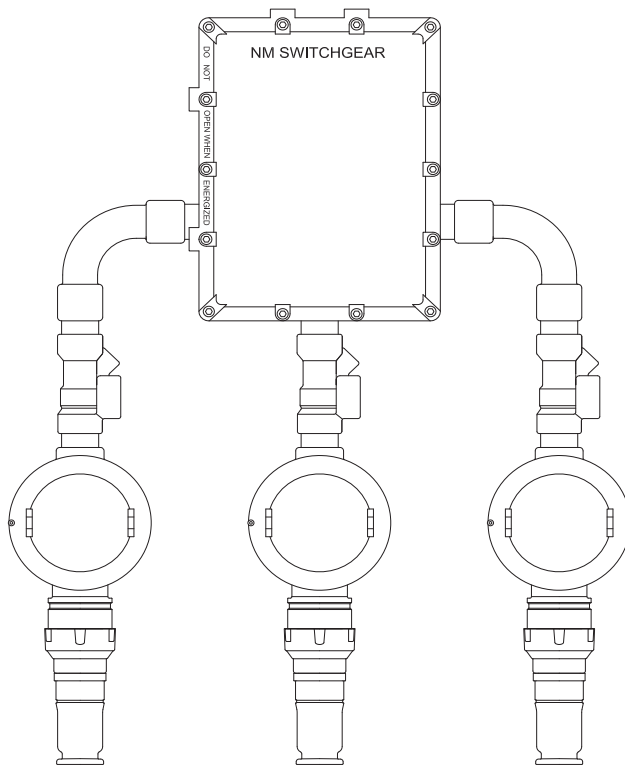


Sockets and plugs, 16 and 25 Amp
D2: M20, M25 or NPT equivalent

Plugs and sockets can be supplied directly connected to a voltage transformer, with or without supporting frame.



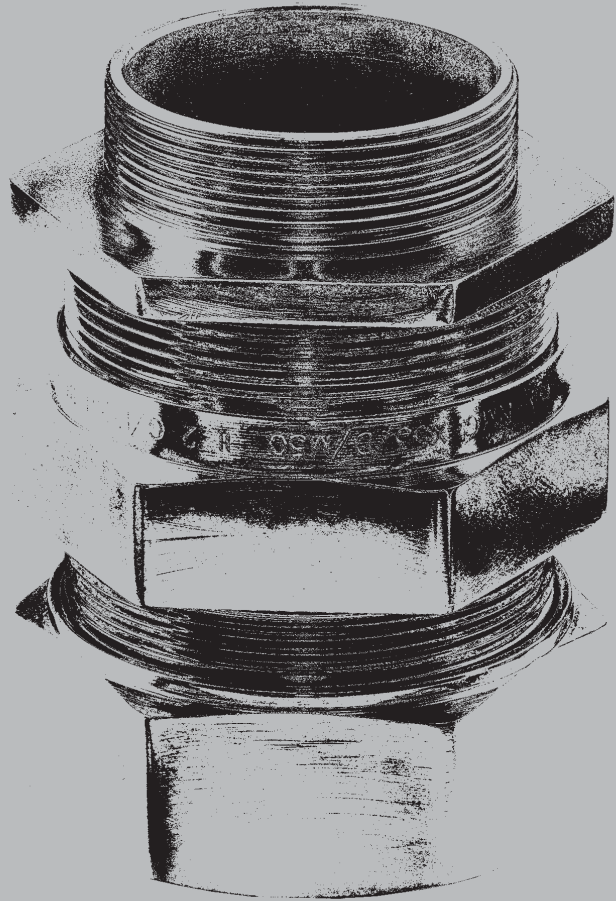
Single sockets and plugs
supplied from a transformer



Group sockets and plugs
supplied from a single transformer



www.nmswitchgear.com info@nmf.ir



Cable Glands & Accessories

NMG X21	Non-armoured Cable Glands
NMG X53	Armoured Cable Glands
NMG X53 LS	Armoured Cable Glands For Lead Sheathed Cable
NMA	Adaptors
NMR	Reducers
NMSP	Stopping Plugs
NMN	Nipples
NMC	Couplings
	Shrouds, Earth Tags, Locknuts, Sealing Washers & Serrated Washers



Marking to ATEX 94/9/EC Directive: Ex II 2 G Ex d IIC Gb / II 2 G Ex e IIC Gb / II 2 D Ex tb IIIC Db

Zone: 1, 2, 21, 22 , Gas Group IIC

Compliance with: IEC 60079-0:2011, IEC 60079-1:2007, IEC 60079-7:2007, IEC 60079-31:2008

EC Type Examination Certificate: ISSeP 12 ATEX 027



FEATURES

- Dual certified Ex 'd' IIC flame proof and Ex 'e' II increased safety, helps to reduce specification errors.
- In accordance with BS 6121 : PAR 1 : 1989 type A2 for non-armoured, elastomer and plastic insulated cables.
- For outdoor or indoor use with seal protection degree IP66.
- Provides a seal on outer sheath of cable.
- High pull out resistant seal on the cable sheath.
- Wide cable acceptance range for easy selection.
- Operating temperature range: -50 °C to +100 °C.
- Materials and Finish: Manufactured as standard in brass with optional Nickel or Galvanized plating. Also available in stainless steel.

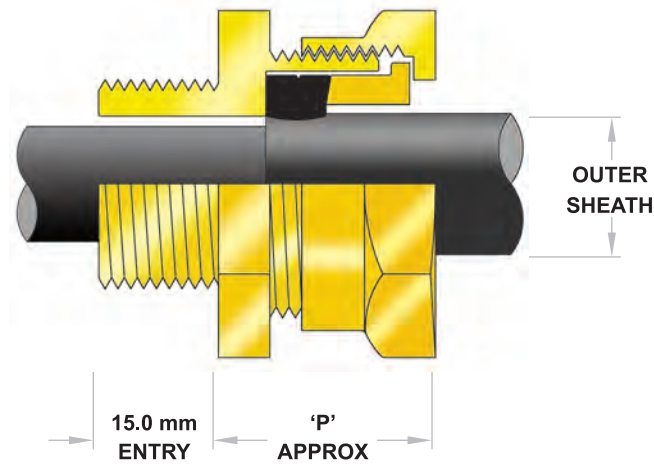


OPTIONAL ACCESSORIES

- Nickel or Galvanized plating for brass cable gland.
- Sealing washer.
- Earth tag.
- Locknut.
- Shroud.



NMG X21.. Non-armoured Cable Gland



NMG X21 CABLE GLAND SELECTION TABLE							
GLAND SIZE REF.	ENTRY THREAD SIZE		CABLE OUTER SHEATH		'P' Approx.	HEXAGON	
	METRIC	INCH*	MIN	MAX		ACROSS FLATS	ACROSS CORNERS
Oss**	M20	1/2"	3.0	6.0	26	24.0	27.0
Os**	M20	1/2"	3.0	8.0	26	24.0	27.0
O**	M20	1/2"	7.5	11.9	26	24.0	27.0
A	M20	3/4"	11.0	14.3	27	30.0	34.5
B	M25	1"	13.0	20.2	30	36.0	41.5
C	M32	1 1/4"	19.0	26.5	32	48.0	53.0
C2	M40	1 1/2"	25.0	32.5	33	55.0	63.5
D	M50	2"	31.5	44.4	40	65.0	75.0
E	M63	2 1/2"	42.5	56.3	40	80.0	92.5
F	M75	3"	54.5	68.2	42	95.0	109.5
G	M80	3 1/4"	67.0	73.0	58	108.0	126.0
H	M90	3 1/2"	67.0	77.5	71	118.0	134.0
J	M100	4"	75.0	91.5	80	128.0	142.0

All metric entry threads are 1.5 mm pitch medium fit.

All dimensions in millimeters (except *)

** Sizes Oss, Os and O are also available in M16. For O size with M16, maximum inner sheath is 10.9

Ordering example: Gland type / Size / Thread, e.g. NMG X21 / A / M20

- Specify cable diameter and thread forms on ordering.
- Specify any optional accessories, if required.
- Design is subject to alteration without notice.



Marking to ATEX 94/9/EC Directive: Ex II 2 G Ex d IIC Gb / II 2 G Ex e IIC Gb / II 2 D Ex tb IIIC Db

Zone: 1, 2, 21, 22 , Gas Group IIC

Compliance with: IEC 60079-0:2011, IEC 60079-1:2007, IEC 60079-7:2007, IEC 60079-31:2008

EC Type Examination Certificate: ISSeP 12 ATEX 027



FEATURES

- Dual certified Ex 'd' IIC flame proof and Ex 'e' II increased safety, helps to reduce specification errors.
- In accordance with BS 6121 armoured E1 and non-armoured A2 elastomer and plastic insulated cables.
- For outdoor or indoor use with seal protection degree IP66.
- Provides seals on inner and outer sheaths of cable.
- High pull out resistant seal on the cable sheath.
- wide cable acceptance range for easy selection.
- Operating temperature range: -50 °C to +100 °C.
- Materials and Finish: Manufactured as standard in brass with optional Nickel or Galvanized plating. Also available in stainless steel.



OPTIONAL ACCESSORIES

- Nickel or Galvanized plating for brass cable gland
- Sealing washer
- Earth tag
- Locknut
- Shroud





Marking to ATEX 94/9/EC Directive: Ex II 2 G Ex d IIC Gb / II 2 G Ex e IIC Gb / II 2 D Ex tb IIIC Db

Zone: 1, 2, 21, 22 , Gas Group IIC

Compliance with: IEC 60079-0:2011, IEC 60079-1:2007, IEC 60079-7:2007, IEC 60079-31:2008

EC Type Examination Certificate: ISSeP 12 ATEX 027



FEATURES

- Dual certified Ex 'd' IIC flame proof and Ex 'e' II increased safety, helps to reduce specification errors.
- In accordance with BS 6121 for use with armoured E2 Lead sheathed and non-armoured A4 elastomer, plastic and paper insulated cables.
- For outdoor or indoor use with seal protection degree IP66.
- Provides environmental seal on inner lead sheaths and the cable outer sheath.
- High pull out resistant seal on the cable sheath.
- Wide cable acceptance range for easy selection.
- Operating temperature range: -50 °C to +100 °C.
- Materials and Finish: Manufactured as standard in brass with optional Nickel or Galvanized plating. Also available in stainless steel.

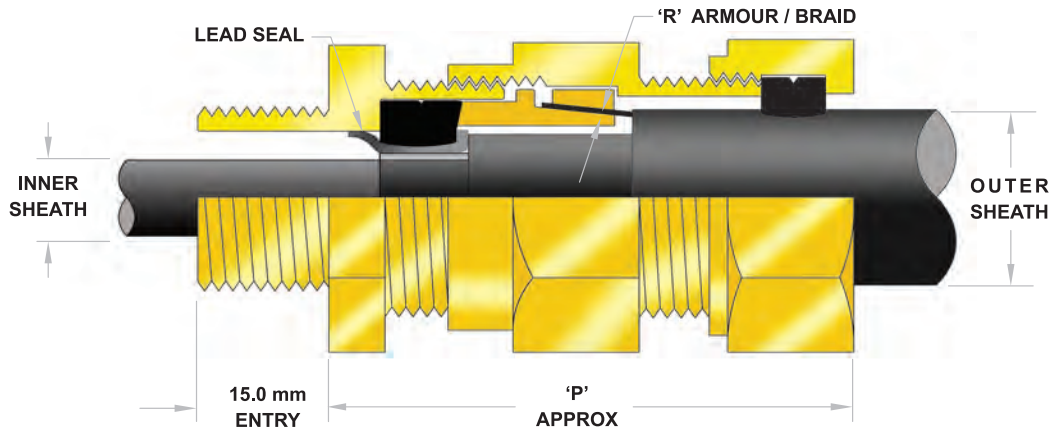


OPTIONAL ACCESSORIES

- Nickel or Galvanized plating for brass cable gland
- Sealing washer
- Earth tag
- Locknut
- Shroud



NMG X53 LS Armoured Cable Gland For Lead Sheathed Cable



NMG X53 LS CABLE GLAND SELECTION TABLE

GLAND SIZE REF.	ENTRY THREAD SIZE		CABLE ACCEPTANCE DETAILS				'P' Approx.	HEXAGON		ARMOUR / BRAID 'R'	
			INNER SHEATH DIAMETER		OUTER SHEATH DIAMETER			MAX. ACROSS FLATS	MAX. ACROSS CORNERS		
	METRIC	INCH*	MIN	MAX	MIN	MAX					
O	M20	3/4"	4.8	9.4	8.0	15.0	56	24.0	27.0	0 - 0.6 xyz	0.9 - 1.25 w
A	M20	3/4"	7.0	11.0	13.0	20.5	56	30.0	34.5	0 - 0.6 xyz	0.9 - 1.25 w
B	M25	1"	10.5	16.4	18.0	26.5	66	36.0	41.6	0 - 0.6 xyz	1.25 - 1.6 w
Cs	M32	1 1/4"	15.0	18.5	25.0	32.5	66	46.0	53.1	0 - 0.6 xyz	1.6 - 2.0 w
C	M32	1 1/4"	18.0	22.7	25.0	32.5	66	46.0	53.1	0 - 0.6 xyz	1.6 - 2.0 w
C2s	M40	1 1/2"	20.0	25.0	31.0	42.0	73	55.0	63.5	0 - 0.6 xz	1.6 - 2.0 w
C2	M40	1 1/2"	23.0	28.5	31.0	42.0	73	55.0	63.5	0 - 0.6 xz	1.6 - 2.0 w
Ds	M50	2"	27.5	36.0	39.5	52.0	94	65.0	75.1	0 - 1.0 xz	1.8 - 2.5 wy
D	M50	2"	35.0	40.0	39.5	52.0	94	65.0	75.1	0 - 1.0 xz	1.8 - 2.5 wy
Ess	M63	2 1/2"	39.0	43.0	51.0	64.5	94	80.0	92.4	0 - 1.0 xz	1.8 - 2.5 wy
Es	M63	2 1/2"	42.0	46.0	51.0	64.5	94	80.0	92.4	0 - 1.0 xz	1.8 - 2.5 wy
E	M63	2 1/2"	45.0	51.0	51.0	64.5	94	80.0	92.4	0 - 1.0 xz	1.8 - 2.5 wy
Fss	M75	3"	50.0	54.5	63.5	77.5	94	95.0	109.6	0 - 1.0 xz	1.8 - 2.5 wy
Fs	M75	3"	53.5	58.0	63.5	77.5	94	95.0	109.6	0 - 1.0 xz	1.8 - 2.5 wy
F	M75	3"	57.0	65.0	63.5	77.5	94	95.0	109.6	0 - 1.0 xz	1.8 - 2.5 wy

All metric entry threads are 1.5 mm pitch medium fit.

All dimensions in millimeters (except *)

Ordering example: Gland type / Size / Thread, e.g. NMG X53 LS / B / M25

- Specify cable inner and outer sheath diameter on ordering.
- Specify thread form e.g. metric, inch
- Specify any optional accessories, if required.
- Design is subject to alteration without notice.



Marking to ATEX 94/9/EC Directive: Ex II 2 G Ex d IIC Gb / II 2 G Ex e IIC Gb / II 2 D Ex tb IIIC Db

Zone: 1, 2, 21, 22 , Gas Group IIC

Compliance with: IEC 60079-0:2011, IEC 60079-1:2007, IEC 60079-7:2007, IEC 60079-31:2008

EC Type Examination Certificate: ISSeP 12 ATEX 025U

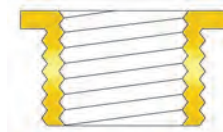
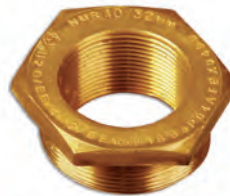


FEATURES

- Reducers and Adaptors are a means of connection between equipment and cable gland or fittings.
- With different thread types or sizes. Threads available are ISO 965.1 metric, NPT, PG ...
- Manufactured as standard in brass. Alternative materials and plating are available upon request.



ADAPTOR



REDUCER

		ADAPTOR AND REDUCER SELECTION TABLE																							
		Male Thread																							
		Metric										NPT													
		M16	M20	M25	M32	M40	M50	M63	M75	M80	M90	M100	1/2"	3/4"	1"	1 1/4"	1 1/2"	2"	2 1/2"	3"	3 1/4"	3 1/2"	4"		
Female Thread	Metric	M16																							
		M20																							
		M25																							
		M32																							
		M40																							
		M50																							
		M63																							
		M75																							
		M80																							
		M90																							
M100																									
Female Thread	NPT	1/2"																							
		3/4"																							
		1"																							
		1 1/4"																							
		1 1/2"																							
		2"																							
		2 1/2"																							
		3"																							
		3 1/4"																							
		3 1/2"																							
4"																									

- Adaptor
- Reducer
- Non-certified adaptor





Marking to ATEX 94/9/EC Directive: Ex II 2 G Ex d IIC Gb / II 2 G Ex e IIC Gb / II 2 D Ex tb IIIC Db

Zone: 1, 2, 21, 22 , Gas Group IIC

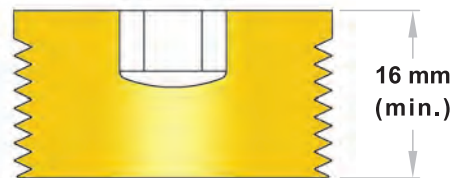
Compliance with: IEC 60079-0:2011, IEC 60079-1:2007, IEC 60079-7:2007, IEC 60079-31:2008

EC Type Examination Certificate: ISSeP 12 ATEX 025U



FEATURES

- Stopping plugs are for closing unused cable entries on enclosures to maintain explosion proof and ingress protection integrity of the equipment.
- Threads available are ISO 965.1 metric, NPT inch, PG ...
- Manufactured as standard in brass. Alternative materials and plating are available upon request.
- Hexagon key A/F size: M20 & M25 : 8 , M32, M40 & M50 : 12 , M63, M75, M80, M90 & M100: 16



ORDERING INFORMATION

Specify size, material and plating (if required).

Example: M20 brass, nickel plated stopping plug.





Marking to ATEX 94/9/EC Directive: Ex II 2 G Ex d IIC Gb / II 2 G Ex e IIC Gb / II 2 D Ex tb IIIC Db

Zone: 1, 2, 21, 22 , Gas Group IIC

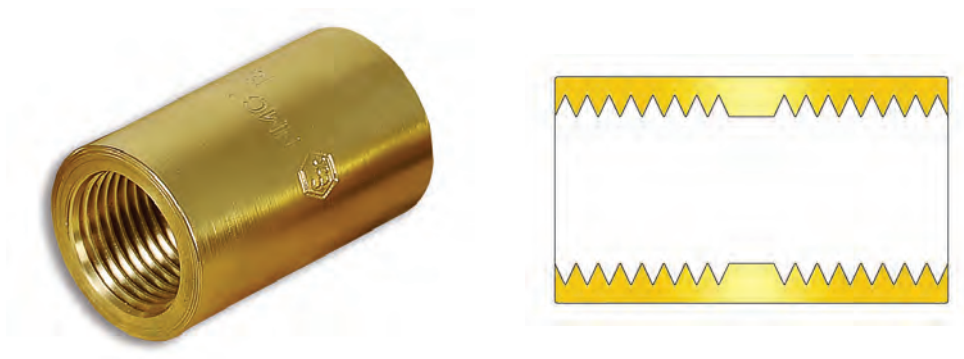
Compliance with: IEC 60079-0:2011, IEC 60079-1:2007, IEC 60079-7:2007, IEC 60079-31:2008

EC Type Examination Certificate: ISSeP 12 ATEX 025U



FEATURES

- NMC Couplings are mainly used in electrical conduit installations for connection of thread ended pipes.
- Sizes and threads available are M20 to M100 ISO metric thread or ½" to 4" NPT. Other threads upon request.
- Manufactured as standard in brass. Alternative materials and plating are available upon request.
- Available in round or hexagonal with similar or dissimilar size and thread forms at each end.



ORDERING INFORMATION

Specify size, material and plating (if required), round or hexagonal.

Example: ¾" Brass nickel plated, round coupling.





Marking to ATEX 94/9/EC Directive: Ex II 2 G Ex d IIC Gb / II 2 G Ex e IIC Gb / II 2 D Ex tb IIIC Db

Zone: 1, 2, 21, 22 , Gas Group IIC

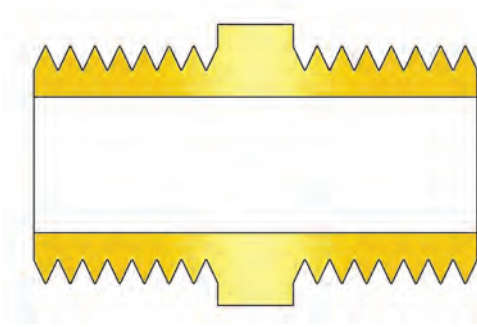
Compliance with: IEC 60079-0:2011, IEC 60079-1:2007, IEC 60079-7:2007, IEC 60079-31:2008

EC Type Examination Certificate: ISSeP 12 ATEX 025U



FEATURES

- NMN nipples are mainly used for connecting equipments together or with other components such as elbows, unions ... with female hubs.
- Sizes and threads available are M20 to M100 ISO metric thread or 1/2" to 4" NPT. Other threads upon request.
- Manufactured as standard in galvanized steel. Brass or stainless steel on request.



ORDERING INFORMATION

Specify size, material and plating (if required).

Example: 3/4", Galvanized steel nipple.



Cable Gland Accessories

SHROUDS

Shrouds are fitted over cable glands to give additional environmental and corrosion protection.

Standard material is black PVC with EPDM as optional.



LOCKNUTS

Locknuts are used to secure cable glands into equipments.

Standard material is brass with nickel plating as optional.

Stainless steel and aluminium locknuts are also available.



58

EARTH TAGS

Brass Earth tags, installed between cable gland and equipment, provide an earth bond connection as specified in BS 6121 : Part 5.



نور محور فارس
تولید کننده تجهیزات الکتریکی ضد انفجار
NM SWITCHGEAR
Explosion Proof Electrical Supplies



Cable Gland Accessories

SEALING WASHERS

Sealing washers are used with cable glands, adaptors ... entry thread to maintain or improve the ingress protection rating of the enclosure. Produced from 1.5 or 2 mm thick white Nylon, depending on the size, as standard. Red fiber washers are supplied as optional.



SERRATED WASHERS

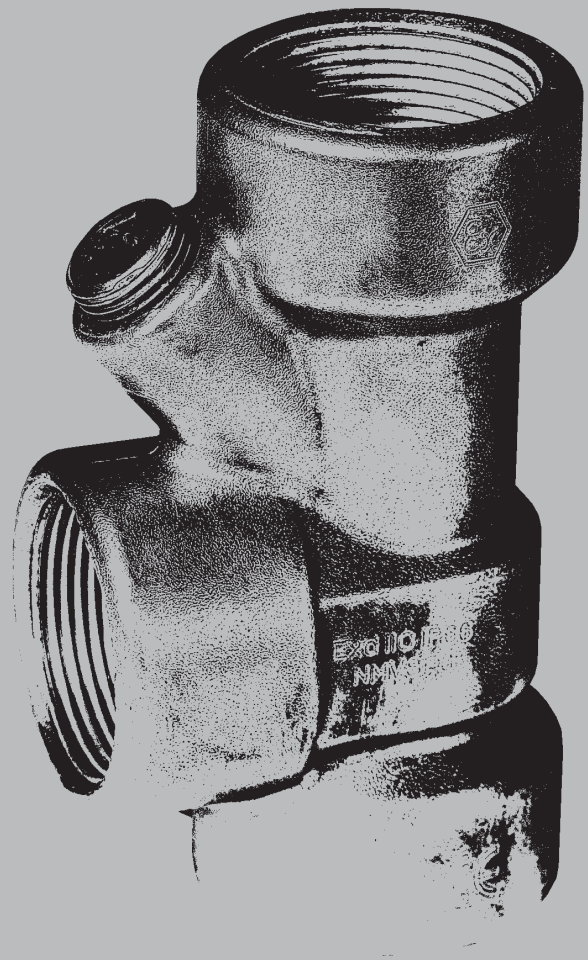
Serrated washers are used on components entry thread, such as cable glands, locknuts ... to dampen vibration effects which may loosen the component.

Available materials: plated steel or stainless steel.





www.nmswitchgear.com info@nmf.ir



Conduit Fittings

NME..	Elbows
NMUMF.. & NMUFF..	Three Pieces Unions
NMVSF..	Vertical Sealing Fittings
NMHSF..	Horizontal Sealing Fittings



Marking to ATEX 94/9/EC Directive: Ex II 2 G Ex d IIC Gb / II 2 D Ex tb IIIC Db IP66

Zone: 1, 2, 21, 22 , Gas Group IIC

Compliance with: IEC 60079-0 : 2007, IEC 60079-1 : 2007, IEC 60079-31 : 2008

EC Type Examination Certificate: ISSeP 10 ATEX 002U



FEATURES

- Unions are used in electrical conduit installations to enable connections and rotations of pipes, enclosures and equipments independent of each other.
- Made of three pieces in two types of Male/Female and Female/Female.
- Sizes and standard thread available are 1/2" ~ 3" NPT. Other threads supplied on request.
- Material and Finish: Manufactured as standard in galvanized steel. Alternative materials and plating are available on request.



NMUMF Male/Female



NMUFF Female/Female

SIZE REF.	NMUMF1 or NMUFF1	NMUMF2 or NMUFF2	NMUMF3 or NMUFF3	NMUMF4 or NMUFF4	NMUMF5 or NMUFF5	NMUMF6 or NMUFF6	NMUMF7 or NMUFF7
INCH NPT	1/2"	3/4"	1"	1 1/2"	2"	2 1/2"	3"

ORDERING INFORMATION

Specify size reference, thread form and material.

Male or Female entries.

Example: For 1" NPT Female/Female galvanized steel union: NMUFF3 galvanized steel.

نور محور فارس
تولید کننده تجهیزات الکتریکی ضد انفجار
NM SWITCHGEAR
Explosion Proof Electrical Supplies





Marking to ATEX 94/9/EC Directive: Ex II 2 G Ex d IIC Gb / II 2 D Ex tb IIIC Db IP66

Zone: 1, 2, 21, 22 , Gas Group IIC

Compliance with: IEC 60079-0 : 2007, IEC 60079-1 : 2007, IEC 60079-31 : 2008

EC Type Examination Certificate: ISSeP 10 ATEX 002U



FEATURES

- 90° elbows are used in electrical conduit installations to change direction.
- Certified nipples are used with Female/Female elbows to obtain Female/Male or Male/Male entries.
- Sizes and standard thread available are 1/2" to 4" NPT. Other threads supplied on request.
- Material: copper free aluminium alloy.



Female/Female



Male/Female



Male/Male

SIZE REF.	NME1	NME2	NME3	NME4	NME5	NME6	NME7	NME8	NME9
INCH NPT	1/2"	3/4"	1"	1 1/4"	1 1/2"	2"	2 1/2"	3"	4"

ORDERING INFORMATION

Specify size reference and thread form (NPT, ISO metric, ...)

Male or Female entries.

Example: For 1/2" NPT Male/Female elbow: NME1 / 1/2" NPT / MF

نور محور فارس
تولید کننده تجهیزات الکتریکی ضد انفجار
NM SWITCHGEAR
Explosion Proof Electrical Supplies





Marking to ATEX 94/9/EC Directive: Ex II 2 G Ex d IIC Gb / II 2 D Ex tb IIIC Db IP66

Zone: 1, 2, 21, 22 , Gas Group IIC

Compliance with: IEC 60079-0 : 2007, IEC 60079-1 : 2007, IEC 60079-31 : 2008

EC Type Examination Certificate: ISSeP 10 ATEX 002U



FEATURES

- NMHSF sealing fittings are installed in horizontal or vertical position in electrical conduit installations, in explosive atmospheres, to prevent passage of gases, vapours or flame through conduit system from one part to another. They are used as close as possible to the Ex 'd' housing and completely filled with approved sealing compound.
- Material and thread: copper free aluminium alloy. Standard thread is INCH NPT. Other threads on request.



64

SIZE REF.	NMHSF1	NMHSF2	NMHSF3	NMHSF4	NMHSF5	NMHSF6	NMHSF7	NMHSF8
INCH NPT	1/2"	3/4"	1"	1 1/2"	2"	2 1/2"	3"	4"

ORDERING INFORMATION

Specify size reference and thread form (NPT, ISO metric, ...)

Example: For 3/4" NPT Horizontal Sealing Fitting: NMHSF2 / 3/4" NPT

نور محور فارس
تولید کننده تجهیزات الکتریکی ضد انفجار
NM SWITCHGEAR
Explosion Proof Electrical Supplies





Marking to ATEX 94/9/EC Directive: Ex II 2 G Ex d IIC Gb / II 2 D Ex tb IIIC Db IP66

Zone: 1, 2, 21, 22 , Gas Group IIC

Compliance with: IEC 60079-0 : 2007, IEC 60079-1 : 2007, IEC 60079-31 : 2008

EC Type Examination Certificate: ISSeP 10 ATEX 002U



FEATURES

- NMVSF sealing fittings are installed vertically in electrical conduit installations, in explosive atmospheres, to prevent passage of gases, vapours or flame through conduit system from one part to another. They are used as close as possible to the Ex 'd' housing and completely filled with approved sealing compound.
- NMVSF are manufactured in two different types. The first from 1/2" to 1" and the second, which has an additional lateral entry to ease introduction of fiber, from 1 1/2" to 4".
- Material and thread: copper free aluminium alloy. Standard thread is INCH NPT. Other threads on request.



1/2" to 1"



1 1/2" to 4"

SIZE REF.	NMVSF1	NMVSF2	NMVSF3	NMVSF4	NMVSF5	NMVSF6	NMVSF7	NMVSF8
INCH NPT	1/2"	3/4"	1"	1 1/2"	2"	2 1/2"	3"	4"

ORDERING INFORMATION

Specify size reference and thread form (NPT, ISO metric, ...)

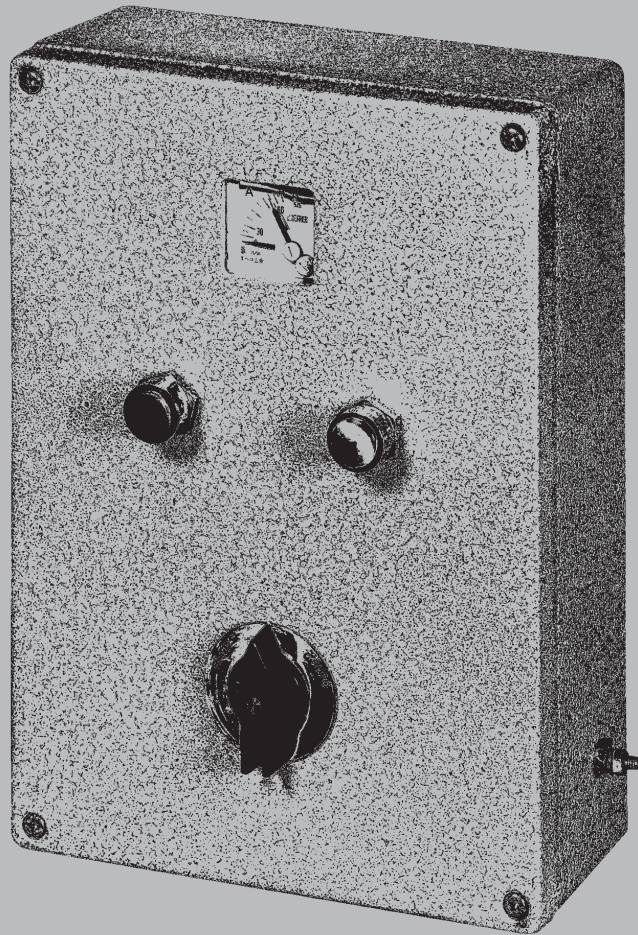
Example: For 2" NPT Vertical Sealing Fitting: NMVSF5 / 2" NPT

نور محور فارس
تولید کننده تجهیزات الکتریکی ضد انفجار
NM SWITCHGEAR
Explosion Proof Electrical Supplies





www.nmswitchgear.com info@nmf.ir



Weather Proof Material

IPT..	Weather Proof Terminal Boxes
IPC..	Weather Proof Control Stations
NMG S21	Industrial Non-armoured Cable Glands
NMG S53	Industrial Armoured Cable Glands
NMG S53 LS	Industrial Armoured Cable Glands For Lead Sheathed Cable

Protection: IP65/66

Compliance with: IEC 60529

ISO 9001:2008 TUV INTERCERT

Certification No.: 08-Q-01034-TIC



FEATURES

- Enclosure:** Copper free diecast aluminium alloy suitable for petroleum and marine locations.
- Application:** Can accommodate a wide range of electrical and electronic components and equipments.
- Range:** Manufactured in a range of sizes to suit varying industrial applications.
- Protection grade:** IP65 & 66 using an oil and petrol resistant neoprene lid gasket for temperature -40 °C to +120 °C.
- Cable entry:** Entry holes can be drilled on all sides to customer specification.
- Earthing:** Standard M6 internal and external earth screws. Large sizes on request.
- Mounting:** Via mounting holes or by using the optional mounting brackets.
- Finish:** Electrostatic powder coated or two pack epoxy paint.



68

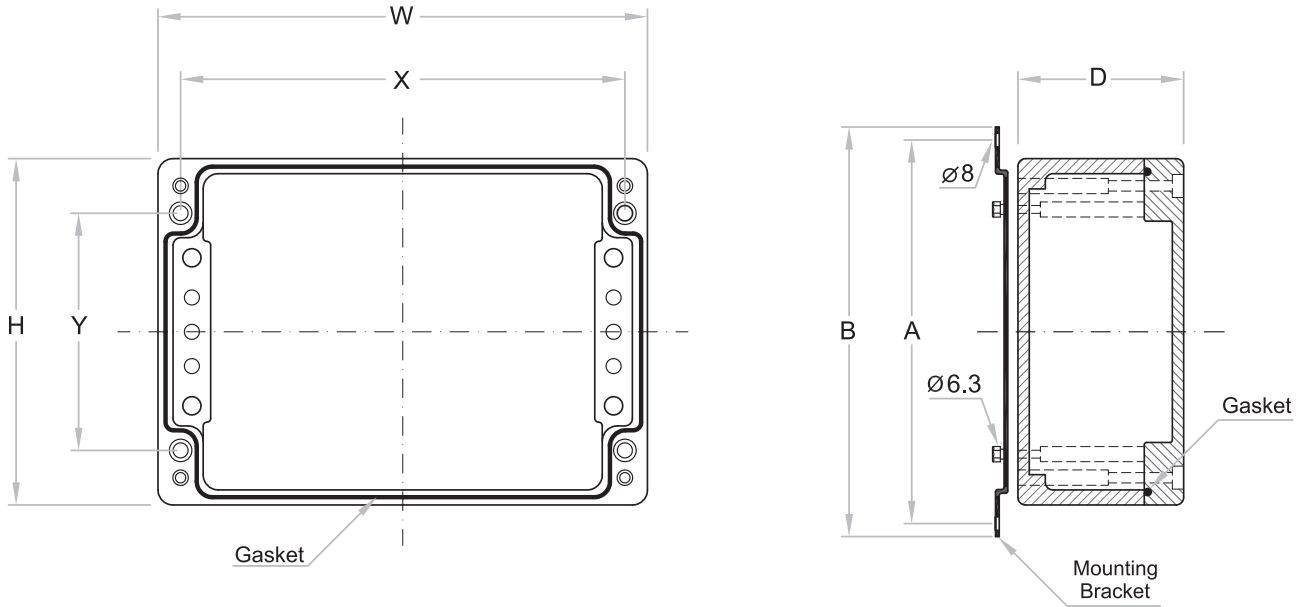
OPTIONS

- Stainless steel screws.
- Mounting accessories.
- Cable gland.

نور محور فارس
تولید کننده تجهیزات الکتریکی ضد انفجار
NM SWITCHGEAR
Explosion Proof Electrical Supplies



IPT.. Weather Proof Terminal Boxes



ENCL. CAT NO.	Overall dimensions					MOUNTING HOLES (A)	MOUNTING BRACKET (B)	WEIGHT gms.
	W	H	D	X	Y			
IPT3	63	57	33	52	45	87	107	180
IPT9	176	81	58	163	52	101	131	560
IPT11	122	120	80	106	82	145	175	950
IPT14	160	160	90	140	110	190	220	1450
IPT17	360	160	90	340	110	190	220	2700
IPT20	330	230	110	310	180	260	290	4350

Protection: IP65/66

Compliance with: IEC 60529

ISO 9001:2008 TUV INTERCERT

Certification No.: 08-Q-01034-TIC



FEATURES

- Enclosure:** Copper free diecast aluminium alloy suitable for petroleum and marine locations.
- Application:** For operation of motors and a wide range of electrical equipments. Type of enclosures used is from NMA ranges.
- Range:** Emergency stop, start - stop, rotary switch, signal lamp, ammeter or other components can be used in any configuration to suit various requirements.
- Cable entry:** Entry holes can be drilled on all sides to customer specification.
- Earthing:** Standard M6 internal and external earth screws. Large sizes on request.
- Mounting:** Via mounting holes or by using the optional mounting brackets.
- Finish:** Electrostatic powder coated or two pack epoxy paint.



70

OPTIONS

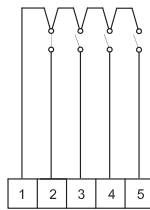
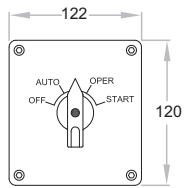
- Stainless steel screws.
- Mounting accessories.
- Cable gland.

نور محور فارس
تولید کننده تجهیزات الکتریکی ضد انفجار
NM SWITCHGEAR
Explosion Proof Electrical Supplies

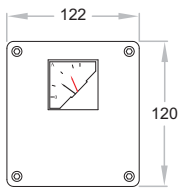


IPC Weather Proof Control Stations

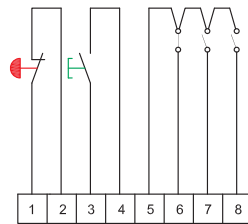
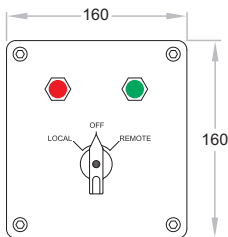
Typical examples of Weather Proof Control Stations



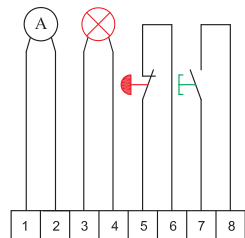
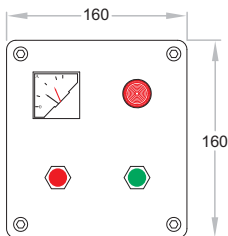
INTERNAL WIRING DIAGRAM



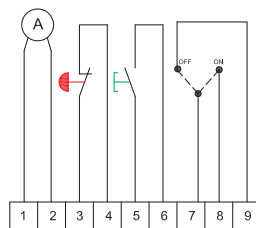
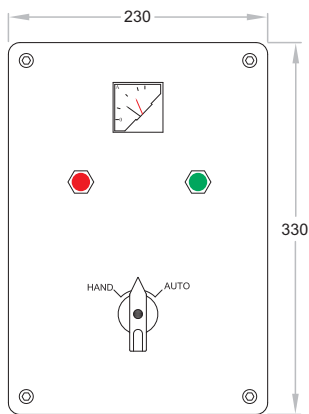
INTERNAL WIRING DIAGRAM



INTERNAL WIRING DIAGRAM



INTERNAL WIRING DIAGRAM



INTERNAL WIRING DIAGRAM



Protection: IP65/66

Compliance with: BS 6121, IEC 529, EN 600529

ISO 9001:2008 TUV INTERCERT

Certification No.: 08-Q-01034-TIC



FEATURES

- Industrial type for non-armoured, elastomer and plastic insulated cables.
- For outdoor or indoor use, IP66.
- Provides a seal on outer sheath of cable.
- High pull out resistant seal on the cable sheath.
- Wide cable acceptable range for easy selection.
- Operating temperature range: -50 °C to +100 °C.
- Materials and finish: Manufactures as standard in brass with optional Nickel or galvanized plating. Also available in stainless steel or aluminium.



72

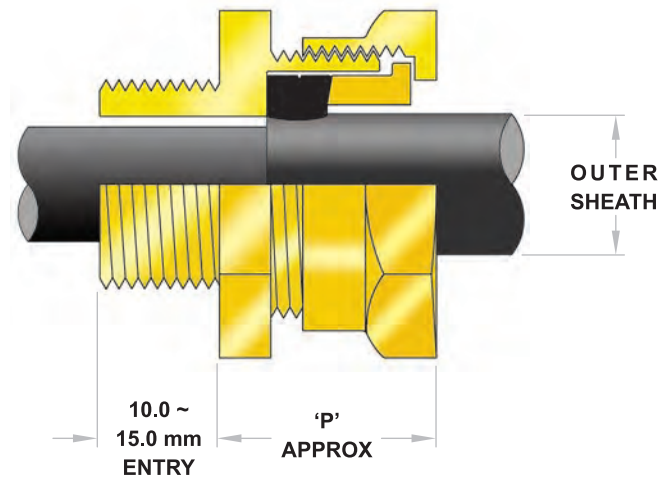
OPTIONS

- Nickle or Galvanized plating for brass cable glands.
- Sealing washer.
- Earth tag.
- Locknut.
- Shroud.

نور محور فارس
تولید کننده تجهیزات الکتریکی ضد انفجار
NM SWITCHGEAR
Explosion Proof Electrical Supplies



NMG S21.. Industrial Non-armoured Cable Gland



NMG S21 CABLE GLAND SELECTION TABLE							
GLAND SIZE REF.	ENTRY THREAD SIZE		CABLE OUTER SHEATH		'P' Approx.	HEXAGON	
	METRIC	INCH*	MIN	MAX		ACROSS FLATS	ACROSS CORNERS
Oss**	M20	1/2"	3.0	6.0	26	24.0	27.5
Os**	M20	1/2"	3.0	8.0	26	24.0	27.5
O**	M20	1/2"	5.0	11.9	26	24.0	27.5
A	M20	3/4"	10.0	14.3	27	30.0	34.5
B	M25	1"	12.0	20.2	30	36.0	41.5
C	M32	1 1/4"	18.0	26.5	32	48.0	53.0
C2	M40	1 1/2"	23.0	32.5	33	55.0	63.5
D	M50	2"	29.3	44.4	40	65.0	75.0
E	M63	2 1/2"	40.0	55.5	40	80.0	92.5
F	M75	3"	54.5	67.5	42	95.0	109.5
G	M80	3 1/4"	67.0	73.0	58	108.0	126.0
H	M90	3 1/2"	67.0	77.5	71	118.0	134.0
J	M100	4"	75.0	91.5	80	128.0	142.0

All metric entry threads are 1.5 mm pitch medium fit.

All dimensions in millimeters (except *)

** Sizes Oss, Os and O are also available in M16. For O size with M16, maximum inner sheath is 10.9

Ordering example: Gland type / Size / Thread, e.g. NMG S21 / A / M20

- Specify cable diameter and thread forms on ordering.
- Specify any optional accessories, if required.
- Design is subject to alteration without notice.

Protection: IP65/66

Compliance with: IEC 60529

ISO 9001:2008 TUV INTERCERT

Certification No.: 08-Q-01034-TIC



FEATURES

- Industrial type for armoured E1 and non-armoured A2 elastomer and plastic insulated cables.
- For outdoor or indoor use, IP66.
- Provides seals on inner and outer sheaths of cable.
- High pull out resistant seal on the cable sheath.
- Wide cable acceptable range for easy selection.
- Operating temperature range: -50 °C to +100 °C.
- Materials and finish: Manufactures as standard in brass with optional Nickel or galvanized plating.
Also available in stainless steel.



74

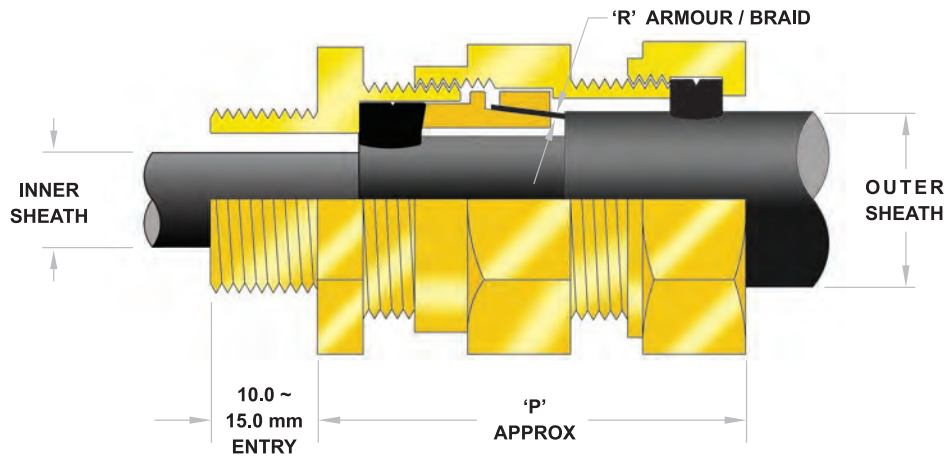
OPTIONS

- Nickle or Galvanized plating for brass cable glands.
- Sealing washer.
- Earth tag.
- Locknut.
- Shroud.
- Lead seal for lead sheathed cables.

نور محور فارس
تولید کننده تجهیزات الکتریکی ضد انفجار
NM SWITCHGEAR
Explosion Proof Electrical Supplies



NMG S53.. Industrial Armoured Cable Gland



NMG S53 CABLE GLAND SELECTION TABLE

GLAND SIZE REF.	ENTRY THREAD SIZE		CABLE ACCEPTANCE DETAILS				'P' Approx.	HEXAGON		ARMOUR / BRAID 'R'	
			INNER SHEATH DIAMETER		OUTER SHEATH DIAMETER			ACROSS FLATS	ACROSS CORNERS		
	METRIC	INCH*	MIN	MAX	MIN	MAX					
Oss**	M20	1/2"	3.0	6.0	10.5	15.3	55	24.0	27.5	0 - 0.6 xyz	0.9 - 1.25 w
Os**	M20	1/2"	3.0	8.0	10.5	15.3	55	24.0	27.5	0 - 0.6 xyz	0.9 - 1.25 w
O**	M20	1/2"	5.0	11.5	10.5	15.3	55	24.0	27.5	0 - 0.6 xyz	0.9 - 1.25 w
A	M20	3/4"	10.0	14.0	13.0	20.9	55	30.0	34.5	0 - 0.6 xyz	0.9 - 1.25 w
B	M25	1"	13.0	19.3	18.0	26.5	65	36.0	41.5	0 - 0.6 xyz	0.9 - 1.25 w
C	M32	1 1/4"	18.0	25.5	25.0	32.0	65	48.0	53.5	0 - 0.6 xz	1.6 - 2.0 w
C2	M40	1 1/2"	25.0	32.5	31.0	42.5	72	55.0	63.5	0 - 0.6 xz	1.6 - 2.0 w
D	M50	2"	34.0	44.2	40.0	52.0	93	65.0	75.0	0 - 1.0 xz	1.8 - 2.5 wy
E	M63	2 1/2"	42.0	55.4	49.7	64.2	93	80.0	92.5	0 - 1.0 xz	1.8 - 2.5 wy
F	M75	3"	55.0	67.0	64.0	77.2	93	95.0	109.5	0 - 1.0 xz	1.8 - 2.5 wy
G	M80	3 1/4"	67.0	73.0	75.0	89.5	90	106.4	123.0	0 - 1.0 xz	1.8 - 2.5 wy
H	M90	3 1/2"	67.0	77.6	75.0	89.5	90	106.4	123.0	0 - 1.0 xz	1.8 - 2.5 wy
J	M100	4"	75.0	91.6	88.0	104.5	90	127.0	146.7	0 - 1.0 xz	1.8 - 2.5 wy

All metric entry threads are 1.5 mm pitch medium fit.

All dimensions in millimeters (except *)

** Sizes Oss, Os and O are also available in M16. For O size with M16, maximum inner sheath is 10.9

Ordering example: Gland type / Size / Thread, e.g. NMG S53 / B / M25

- Specify cable inner and outer sheath diameter on ordering.
- Specify thread form e.g. metric, inch
- Specify any optional accessories, if required.
- Design is subject to alteration without notice.

Protection: IP65/66

Compliance with: IEC 60529

ISO 9001:2008 TUV INTERCERT

Certification No.: 08-Q-01034-TIC



FEATURES

- Industrial type for armoured E2 Lead sheathed and non-armoured A4 elastomer, plastic and paper insulated cables.
- For outdoor or indoor use, IP66.
- Provides environment seal on inner lead sheath and the cable outer sheaths.
- High pull out resistant seal on the cable sheath.
- Wide cable acceptance range for easy selection.
- Operating temperature range: - 50 °C to + 100 °C.
- Materials and Finish: Manufactured as standard in brass with optional Nickel or Galvanized plating. Also available in stainless steel or aluminium.



76

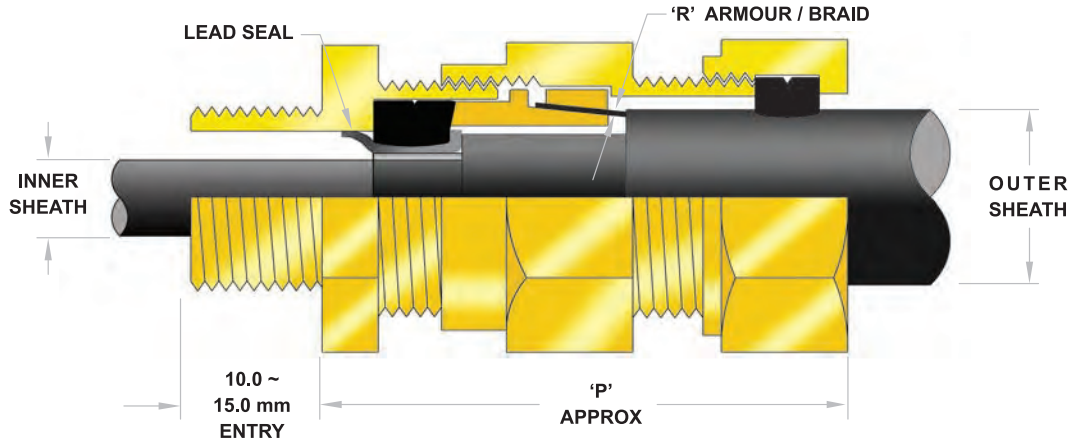
OPTIONAL ACCESSORIES

- Nickel or Galvanized plating for brass cable gland
- Sealing washer
- Earth tag
- Locknut
- Shroud

نور محور فارس
تولید کننده تجهیزات الکتریکی ضد انفجار
NM SWITCHGEAR
Explosion Proof Electrical Supplies



NMG S53 LS Armoured Cable Gland For Lead Sheathed Cable



NMG S53 LS CABLE GLAND SELECTION TABLE

GLAND SIZE REF.	ENTRY THREAD SIZE		CABLE ACCEPTANCE DETAILS				'P' Approx.	HEXAGON		ARMOUR / BRAID 'R'	
			INNER SHEATH DIAMETER		OUTER SHEATH DIAMETER			MAX. ACROSS FLATS	MAX. ACROSS CORNERS		
	METRIC	INCH*	MIN	MAX	MIN	MAX					
O	M20	3/4"	4.8	9.4	8.0	15.0	56	24.0	27.5	0 - 0.6 xyz	0.9 - 1.25 w
A	M20	3/4"	7.0	11.0	13.0	20.5	56	30.0	34.5	0 - 0.6 xyz	0.9 - 1.25 w
B	M25	1"	10.5	16.4	18.0	26.5	66	36.0	41.6	0 - 0.6 xyz	1.25 - 1.6 w
Cs	M32	1 1/4"	15.0	18.5	25.0	32.5	66	46.0	53.1	0 - 0.6 xyz	1.6 - 2.0 w
C	M32	1 1/4"	18.0	22.7	25.0	32.5	66	46.0	53.1	0 - 0.6 xyz	1.6 - 2.0 w
C2s	M40	1 1/2"	20.0	25.0	31.0	42.0	73	55.0	63.5	0 - 0.6 xz	1.6 - 2.0 w
C2	M40	1 1/2"	23.0	28.5	31.0	42.0	73	55.0	63.5	0 - 0.6 xz	1.6 - 2.0 w
Ds	M50	2"	27.5	36.0	39.5	52.0	94	65.0	75.1	0 - 1.0 xz	1.8 - 2.5 wy
D	M50	2"	35.0	40.0	39.5	52.0	94	65.0	75.1	0 - 1.0 xz	1.8 - 2.5 wy
Ess	M63	2 1/2"	39.0	43.0	51.0	64.5	94	80.0	92.4	0 - 1.0 xz	1.8 - 2.5 wy
Es	M63	2 1/2"	42.0	46.0	51.0	64.5	94	80.0	92.4	0 - 1.0 xz	1.8 - 2.5 wy
E	M63	2 1/2"	45.0	51.0	51.0	64.5	94	80.0	92.4	0 - 1.0 xz	1.8 - 2.5 wy
Fss	M75	3"	50.0	54.5	63.5	77.5	94	95.0	109.6	0 - 1.0 xz	1.8 - 2.5 wy
Fs	M75	3"	53.5	58.0	63.5	77.5	94	95.0	109.6	0 - 1.0 xz	1.8 - 2.5 wy
F	M75	3"	57.0	65.0	63.5	77.5	94	95.0	109.6	0 - 1.0 xz	1.8 - 2.5 wy

All metric entry threads are 1.5 mm pitch medium fit.

All dimensions in millimeters (except *)

Ordering example: Gland type / Size / Thread, e.g. NMG S53 LS / B / M25

- Specify cable inner and outer sheath diameter on ordering.
- Specify thread form e.g. metric, inch
- Specify any optional accessories, if required.
- Design is subject to alteration without notice.



www.nmswitchgear.com info@nmf.ir