



Marking to ATEX 94/9/EC Directive:  $\text{Ex}$  II 2 G / Ex d IIC T6

Zone: 1, 2, 21, 22 , Gas Group IIC

Compliance with: IEC 60079-0:2004, IEC 60079-1:2003

EC Type Examination Certificate: ISSeP 05 ATEX 064



### FEATURES

**Enclosure:** Copper free aluminium alloy suitable for petroleum and marine locations. Cast iron on request.

**Application:** Used with either rigid conduit or cable systems with cable glands. With or without terminals.

**Range:** Different hub arrangements: 1, 2, 3, 4 ways for varying number of terminals (table1).

**IP rating:** IP65 (min.) with gasket. IP66 by application of an approved non-hardening grease.

**Cable entry:** ISO 965.1 metric as standard. NPT or other threads supplied on request.

**Earthing:** Standard M6 internal and external earth screws.

**Finish:** Electrostatic powder coated or two pack epoxy paint.



GUFX2



GUAX59

### OPTIONS

Stainless steel screws.

Mounting bracket for GUAX59.

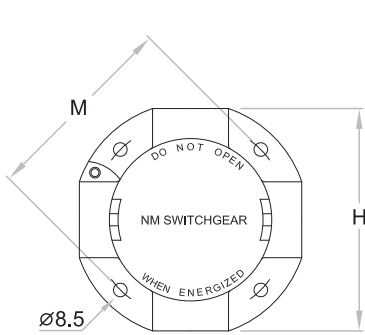
Cast iron enclosure.



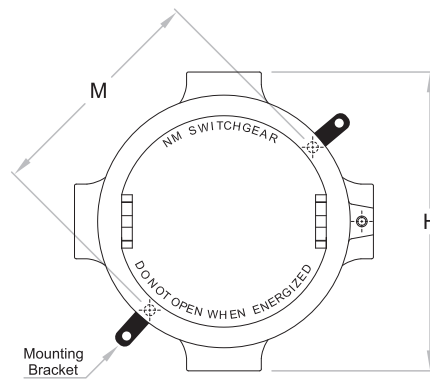
## GUFX2 & GUAX59 Junction and Pulling Boxes

Table 1. GUFX2 & GUAX59 enclosures and dimensions (in mm.)

TYPE	ENTRIES	DIMENSIONS				MOUNTING HOLES (M)	WEIGHT KGS.
		W	H	D	A		
GUFX2	Up to 4 x M25 or Up to 4 x 3/4"	125	125	83	90	114	0.85
GUAX 59	Up to 4 x M40 or Up to 4 x 1 1/2"	164	164	107	140	107	1.60



GUFX2



GUAX59

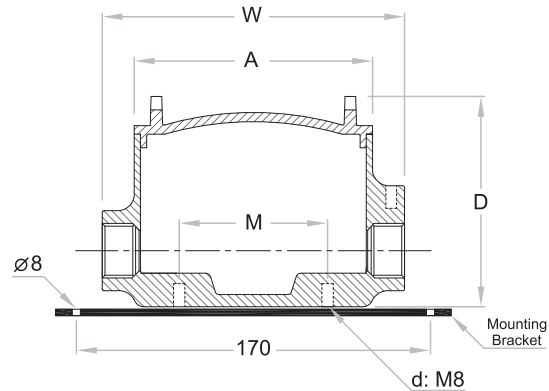
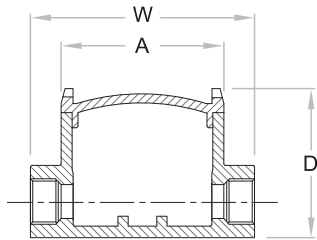


Table 2. Terminal characteristics / No. of poles

TYPE	Maximum number of terminals allowed					
	2.5 mm <sup>2</sup>	4.0 mm <sup>2</sup>	6.0 mm <sup>2</sup>	10.0 mm <sup>2</sup>	16.0 mm <sup>2</sup>	25.0 mm <sup>2</sup>
	Current 20 A	Current 32 A	Current 48 A	Current 70 A	Current 80 A	Current 115 A
GUFX2	5	5	4	3	3	2
GUAX 59	12	12	11	9	7	6