



Marking to ATEX 94/9/EC Directive: Ex II 2 G Ex d IIC T6 Gb / II 2 D Ex tb IIIC T72°C Db IP66

Zone: 1, 2, 21, 22 , Gas Group IIC

Compliance with: IEC 60079-0:2007, IEC 60079-1:2007, IEC 60079-31:2008

EC Type Examination Certificate: ISSeP 10 ATEX 010X



FEATURES

- Enclosure:** Copper free aluminium alloy suitable for petroleum and marine locations.
- Glass:** Borosilicate tempered glass resistant to impact and sudden heat changes.
- Range:** Single or double bi-pin 20 and 40 W fluorescent tubes with rapid start electronic ballast and emergency units with battery pack.
- Reflector:** Aluminium, white coated for optimum uniform lighting.
- IP rating:** IP66 to IEC 529 / EN 60529.
- Installation:** Optional installation accessories are supplied for any type of mounting.
- Wire guard:** Stainless steel wire guard supplied with all lighting fixtures as standard.
- Cable entry:** ISO 965.1 metric as standard. NPT or other threads supplied on request.
- Earthing:** Standard M6 internal and external earth screws.
- Finish:** Electrostatic powder coated or two pack epoxy paint.



NMF 240

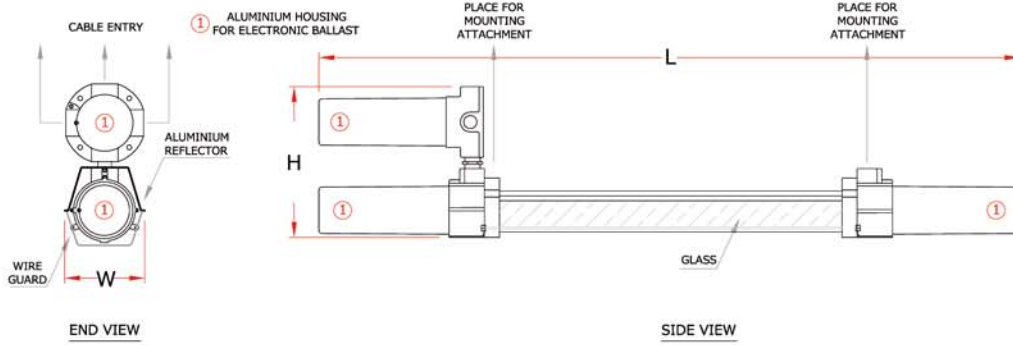
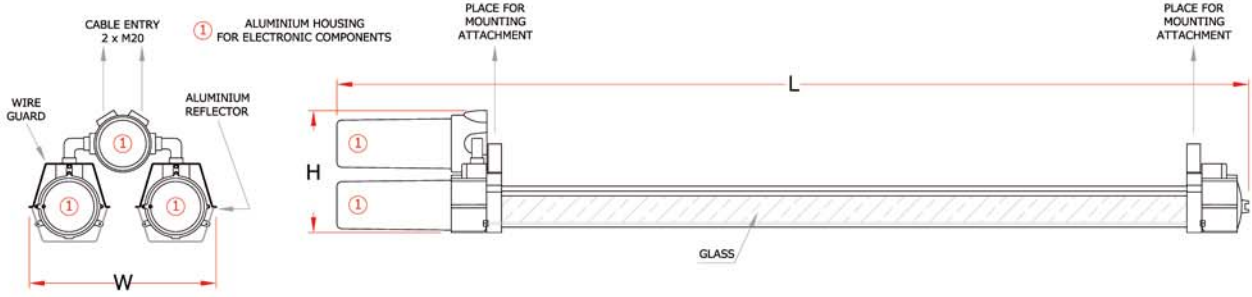
OPTIONS

- Installation accessories (ceiling, pipe, chain, bracket or pole mounting)
- Cable gland
- Lamp

نور محور فارس
تولید کننده تجهیزات الکتریکی ضد انفجار
NM SWITCHGEAR
Explosion Proof Electrical Supplies



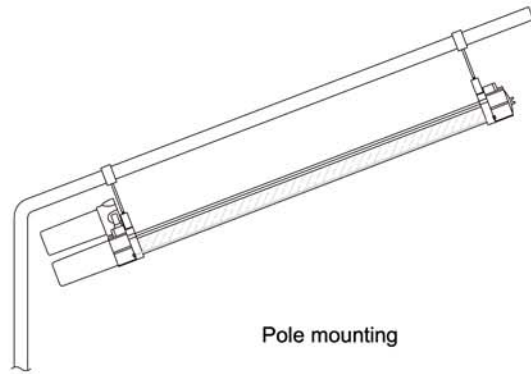
NMF.. Installation Types and Accessories



TYPE	RATING	L	H	W
NMF 120	1 x 18 W	760	270	160
NMF 140	1 x 36 W	1360	270	265
NMF 220	2 x 18 W	965	200	160
NMF 240	2 x 36 W	1565	200	265



Ceiling mounting



Pole mounting



Pipe mounting



Chain mounting



Bracket mounting

نور محور فارس
NM SWITCHGEAR

**NMFGE ..**

Fluorescent Emergency Light Fittings



Marking to ATEX 94/9/EC Directive: Ex II 2 G Ex d IIC T6 Gb / Ex d e IIC T6 Gb

Ex II 2 D Ex tb IIIC T72°C Db IP66

Zone: 1, 2, 21, 22 , Gas Group IIB and IIC

Compliance with: IEC 60079-0:2011, IEC 60079-1:2007, IEC 60079-7:2006, IEC 60079-31:2008

EC Type Examination Certificate: ISSeP 13 ATEX 030

Production quality assurance notification: ISSeP 12 ATEX 026



FEATURES

- Enclosure:** Copper free aluminium alloy head and end cap suitable for petroleum and marine locations.
- Glass:** Borosilicate tempered glass resistant to impact and sudden heat changes.
- Range:** Single or double bi-pin 20 and 40 W fluorescent tubes with rapid start electronic ballast and electronic inverter and battery pack for emergency operation.
- Reflector:** Internal white coated metallic mounting plate and reflector.
- IP rating:** IP66 to IEC 529 / EN 60529.
- Installation:** Optional installation accessories are supplied for any type of mounting.
- Cable entry:** Two hubs M20 as standard, third on request. NPT or other threads supplied on request.
- Earthing:** Standard M6 internal and external earth screws.
- Finish:** Electrostatic powder coated or two pack epoxy paint.



NMFGE 240

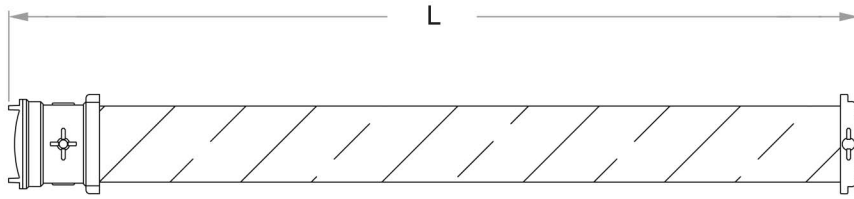
OPTIONS

- Installation accessories (ceiling, chain, bracket or pole mounting).
- External aluminium reflector giving UV protection to electronic components.
- Safety switch disconnecting power when opening head for lamp replacement or maintenance.
- Wire guard.
- Cable gland.
- Lamp.

نور محور فارس
تولید کننده تجهیزات الکتریکی ضد انفجار
NM SWITCHGEAR
Explosion Proof Electrical Supplies

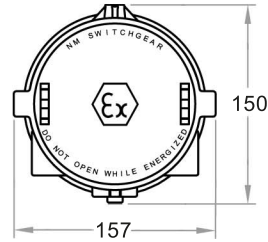


NMFGE.. Installation Types and Accessories

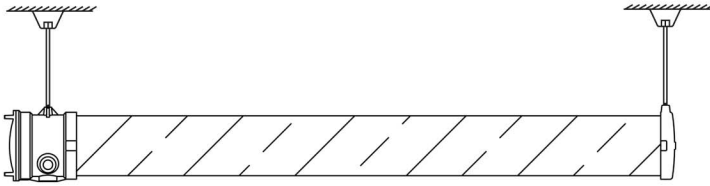


TYPE	RATING	L mm
NMFGE 120	1 x 20 W	750
NMFGE 140	1 x 40 W	1350
NMFGE 220	2 x 20 W	750
NMFGE 240	2 x 40 W	1350

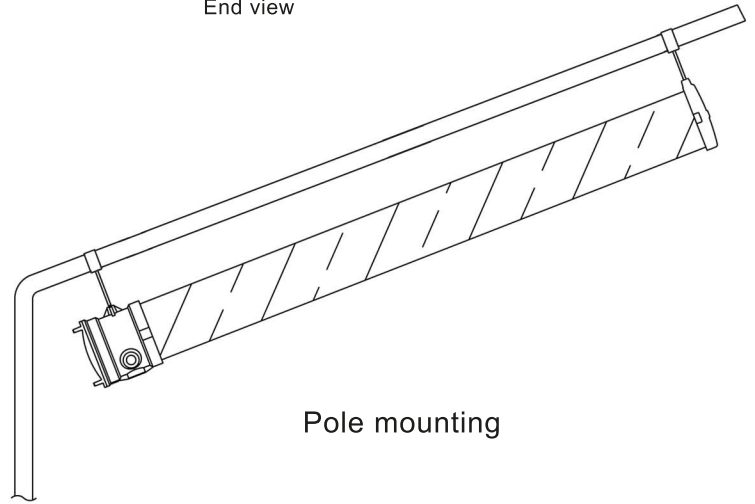
Dimensions shown are within manufacturing tolerances



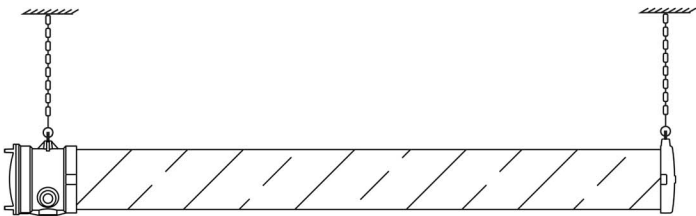
End view



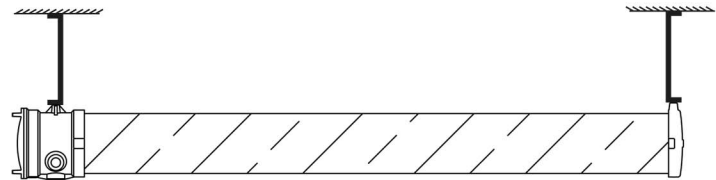
Ceiling mounting



Pole mounting



Chain mounting



Bracket mounting

Other types of installation accessories supplied on request.