



Marking to ATEX 94/9/EC Directive: Ex II 2 G Ex d IIC T4 or T3 / II 2 D Ex tD A21 IP65 T130°C or T195°C

Zone: 1, 2, 21, 22 , Gas Group IIC

Compliance with: IEC 60079-0, IEC 60079-1, IEC 61241-0, IEC 61241-1

EC Type Examination Certificate: ISSeP 07 ATEX 022

Production quality assurance notification: ITS18ATEXQ03386

IECEx Quality Assessment Report: GB/ITS/QAR18.0003/00



FEATURES

- Enclosure:** Copper free aluminium alloy suitable for petroleum and marine locations.
- Glass:** Borosilicate tempered glass resistant to impact and sudden heat changes.
- Lamps:** High pressure discharge: Mercury vapour, Sodium vapour, Halogen and Metal halide.
- Power unit:** In a separate enclosure to accommodate ballast, starter & capacitor, and to avoid the damaging effects of direct heat from the lamp, resulting much longer service life.
- IP rating:** IP65 to IEC 529 / EN 60529. IP66 by application of an approved non-hardening grease.
- Installation:** Optional installation accessories are supplied for any type of mounting.
- Wire guard:** Stainless steel wire guard supplied with all lighting fixtures, as standard.
- Cable entry:** ISO 965.1 metric as standard. NPT or other threads supplied on request.
- Earthing:** Standard M6 internal and external earth screws.
- Finish:** Electrostatic powder coated or two pack epoxy paint.



REFLECTOR

OPTIONS

Installation accessories: please specify accessories required if other than our standard, shown above.

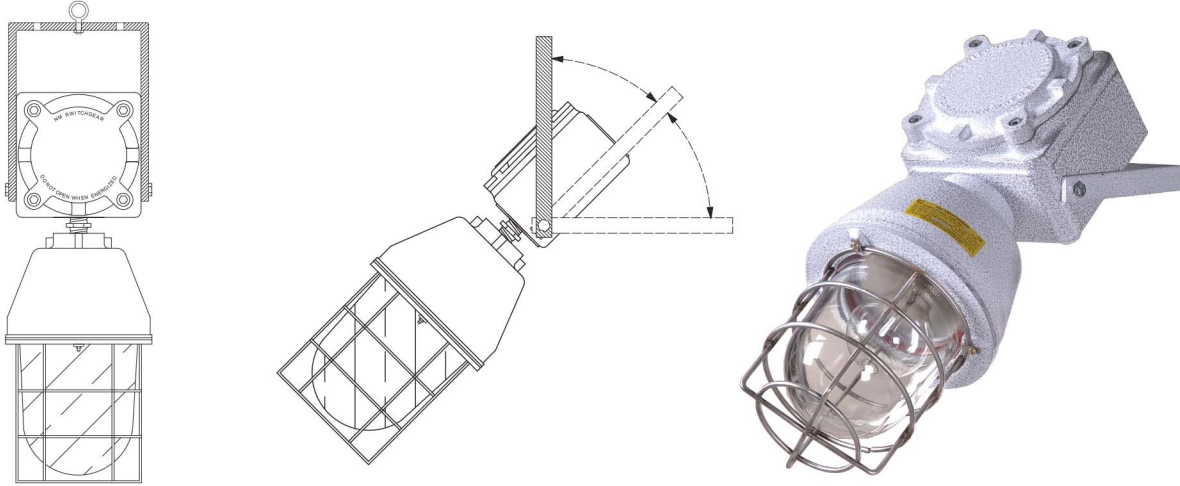
- Enameled aluminium reflector
- Cable gland
- Lamp

نور محور فارس
تولید کننده تجهیزات الکتریکی ضد انفجار
NM SWITCHGEAR
Explosion Proof Electrical Supplies



NML.. Installation Types and Accessories

All our high-pressure discharge lamp light fittings are supplied with separate power unit enclosure. This is of utmost importance to prevent direct heat from the lamp damaging the ballast, starter and capacitor if they were all to be placed in the same enclosure with the lamp.



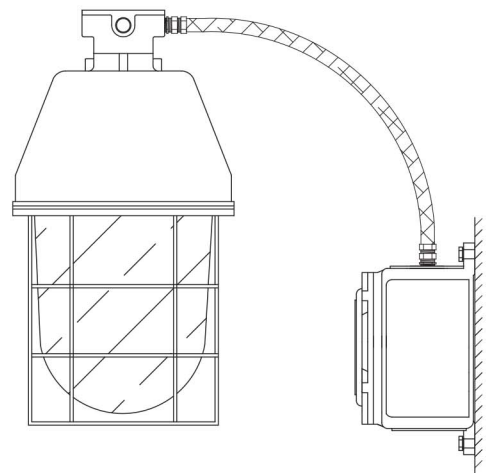
Light fittings of up to 250W are coupled to the power unit enclosure and supplied with bracket and an eye bolt as standard which suits most installations.

The bracket has 3 holes, with the eye bolt in the middle hole used when the fixture is to be installed in suspension mode. In applications, other than suspension, the eye bolt is removed and the 2 side holes are used to attach the fixture to wall, ceiling

The light fixture can be adjusted at any angle and remains firm and stable by the use of bolts and shake proof washers provided.

Other types of installation accessories supplied on request.

FIXTURES	TYPE OF LAMP	POWER OF LAMP
NML 1	INCANDESCENT	100 W
NML 2	INCANDESCENT	200 W
NML 2	MERCURY VAPORS	80 W
NML 3	BLENDED	160 W
NML 3	MERCURY VAPORS	125 W
NML 3	SODIUM VAPORS	70 W
NML 4	ALL TYPES	125, 250 & 300 W
NML 5	ALL TYPES	400 & 500 W



In 400 W light fittings the power unit is installed separate, electrically connected by cable to the light fitting.