

NMFGE EXIT Light Fitting



Marking to ATEX Directive:

Ex II 2 G Ex d IIC T6 Gb / Ex de IIC T6 Gb

Ex II 2 D Ex tb IIIC T72°C Db IP66

Zone: 1, 2, 21, 22

Gas group: IIB and IIC

Compliance with:

IEC 60079-0, IEC 60079-1,

IEC 60079-7, IEC 60079-31

EC Type Examination Certificate:

ISSeP13ATEX030

Ambient temperature: $-20^{\circ}\text{C} < \text{Ta} < +52^{\circ}\text{C}$

FEATURES:

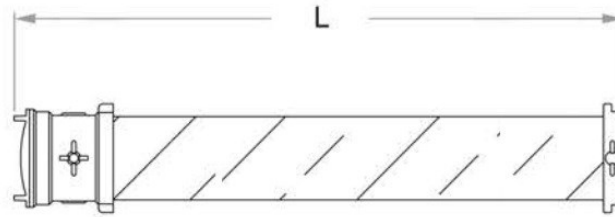
Enclosure:	Copper free aluminum alloy head and end cap suitable for petroleum and marine locations.
Glass:	Borosilicate tempered glass resistant to impact and sudden heat changes.
Range:	LED or fluorescent tube with rapid start electronic ballast.
IP rating:	IP66 to IEC 529 / EN 60529.
Installation:	Optional installation accessories are supplied for any type of mounting.
Cable entry:	Two hubs M20 as standard, third on request. NPT or other threads supplied on request.
Earthing:	Standard M6 internal and external earth screws.
Finish:	Electrostatic powder coated or two pack epoxy paint.

OPTIONS:

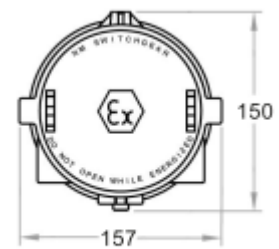
- Installation accessories (ceiling, pipe, chain, bracket or pole mounting)
- Electronic inverter and battery pack for emergency operation.
- Safety switch disconnecting power when opening head for lamp replacement or maintenance.
- Electromagnetic ballast.
- Wire guard.
- Cable gland.
- Lamp.



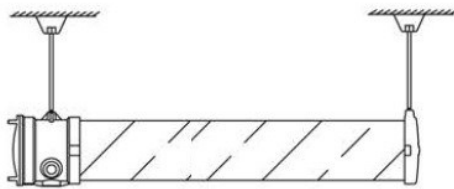
NMFG 120 Installation Types and Accessories



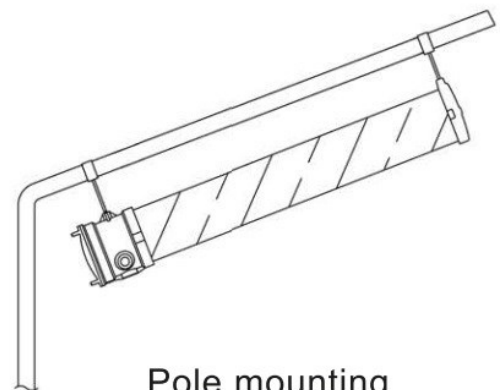
TYPE	RATING	L mm
NMFG 120	1 x 20/18 W (Fluorescent)	750



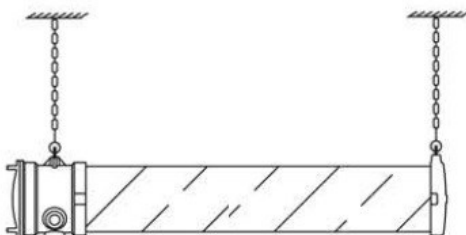
End view



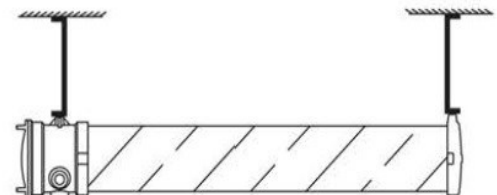
Ceiling mounting



Pole mounting



Chain mounting



Bracket mounting

